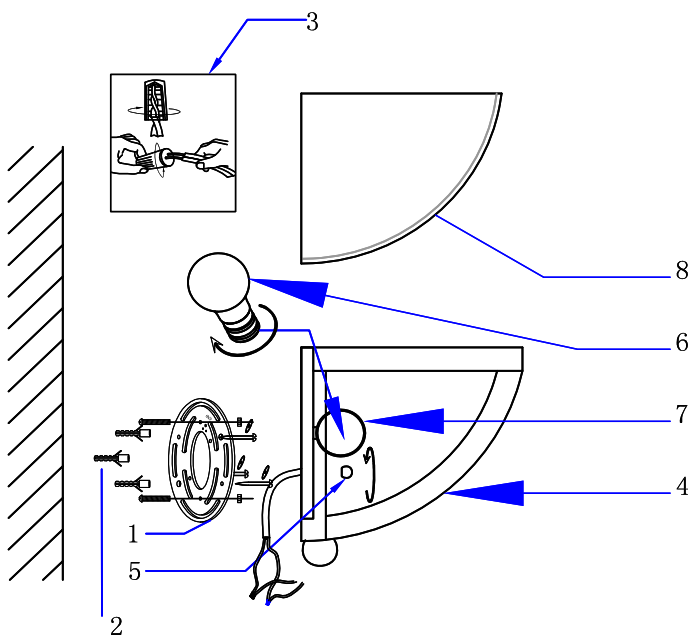


PLE LIGHTING

14860

INSTALLATION INSTRUCTIONS:



1. Ensure mains supply is switched off.
2. Fit cross bar(1) onto mounting surface with self-tapping screws(2).
3. Make the wiring connections: Using wire connectors (3), connect the house white wire(s) to the fixture white(or ribbed) lead(s); connect the house black(or red) wire to the fixture black (or smooth)lead(s). Make sure that there are no exposed wires or stands,and that the connections are secured.
4. Fit wall bracket (4) onto crossbar with screws & nuts (5)
5. Fit bulb (6) firmly into lampholder (7).
6. Fix the glass shade (8) into wall bracket .

WARNING :

- Electricity supply required 110-120v 60 htz alternating current.
- Use only the correct light bulbs as stipulated on the luminaries .
- Disconnect the power and allow fitting cool down before cleaning or changing bulb(s).
- If any malfunction occurs, switch of mains and contact a qualified electrician .
- Do not modify this unit in any manner.