

READ THESE INSTRUCTIONS AND
SAVE THEM FOR FUTURE USE

Pro Builder Fan

Federal regulations require ceiling fans with light kits manufactured or imported after January 1, 2009, to limit total wattage consumed by the light kit to 190W. Therefore, this fan is equipped with a wattage limiting device.



Installation Guide

For models:

C201	E201
C202	E202
C203	E203
C204	E204
C205	E205
C206	E206
C207	E207
C208	E208
C209	E209

Table of Contents:

Safety Tips.	pg. 1
Unpacking Your Fan.	pg. 2
Parts Inventory.	pg. 2
Installation Preparation.	pg. 3
Hanging Bracket Installation.	pg. 3
Fan Assembly.	pgs. 4 - 5
Wiring.	pg. 5
Canopy Assembly.	pg. 6
Blade Assembly.	pg. 6
Light Kit Assembly, 1-light Options.	pgs. 7 - 8
3 or 4-light Kit Assembly.	pg. 9
Testing Your Fan.	pg. 10
Troubleshooting.	pg. 11
Warranty.	pg. 11
Parts Replacement.	pg. 11



LISTED
E192641

net weight of fans: 13.45 lb (6.1 kg) C201,C202, E201, E202
15.15 lb (6.87 kg) C203,C204, E203, E204
13.67 lb (6.2 kg) C205,C206, E205, E206
13.93 lb (6.32 kg) C207, C208, E207, E208
13.23 lb (6 kg) C209, E209

PRINTED IN CHINA

SAFETY TIPS.

WARNING: To reduce the risk of electrical shock, turn off the electricity to the fan at the main fuse box or circuit panel before you begin the fan installation or before servicing the fan or installing accessories.

1. **READ ALL INSTRUCTIONS AND SAFETY INFORMATION CAREFULLY BEFORE INSTALLING YOUR FAN AND SAVE THESE INSTRUCTIONS.**

CAUTION: To avoid personal injury, the use of gloves may be necessary while handling fan parts with sharp edges.

2. Make sure all electrical connections comply with Local Codes or Ordinances, the National Electrical Code, and ANSI/NFPA 70-1999. If you are unfamiliar with electrical wiring or if the house/building wires are different colors than those referred to in the instructions, please use a qualified electrician.
3. Make sure you have a location selected for your fan that allows clear space for the blades to rotate, and at least seven (7) feet (2.13 meters) of clearance between the floor and the fan blade tips. The fan should be mounted so that the tips of the blades are at least thirty (30) inches (76 centimeters) from walls or other upright structures.
4. The outlet box and ceiling support joist used must be securely mounted and capable of supporting at least 35 pounds (16 kilograms). The outlet box must be supported directly by the building structure. Use only UL listed outlet boxes marked "FOR FAN SUPPORT."

WARNING: To reduce the risk of fire, electrical shock, or personal injury, mount to the outlet box marked "Acceptable for Fan Support of 15.9 kg (35 lb) or less," and use the mounting screws provided with the outlet box. Most outlet boxes commonly used for the support of lighting fixtures are not acceptable for fan support and may need to be replaced. Consult a qualified electrician if in doubt.

WARNING: To reduce the risk of fire, electrical shock, or personal injury, wire connectors provided with this fan are designed to accept only one 12 gauge house wire and two lead wires from the fan. If your house wire is larger than 12 gauge or there is more than one house wire to connect to the corresponding fan lead wires, consult an electrician for the proper size wire connectors to use.

5. Electrical diagrams are for reference only. Light kits that are not packed with the fan must be UL listed and marked suitable for use with the model fan you are installing. Switches must be UL general use switches. Refer to the instructions packaged with the light kits and switches for proper assembly.
6. After installation is complete, check that all connections are absolutely secure.
7. After making electrical connections, spliced conductors should be turned upward and pushed carefully up into the outlet box. The wires should be spread apart with the grounded conductor and the equipment-grounding conductor on opposite sides of the outlet box.

WARNING: To reduce the risk of electrical shock or fire, do not use this fan with any solid state speed control device or control fan speed with a full range dimmer switch. [Using a full range dimmer switch to control fan speed will cause a loud humming noise from fan.] (**Note:** This fan *is* suitable for use with remote control.)

8. Do not operate the reverse switch until fan has come to a complete stop.
9. Do not insert anything between the fan blades while they are rotating.

WARNING: To reduce the risk of personal injury, do not bend the blade arms during assembly or after installation. Do not insert objects into the path of the blades.

WARNING: To avoid personal injury or damage to the fan and other items, be cautious when working around or cleaning the fan.

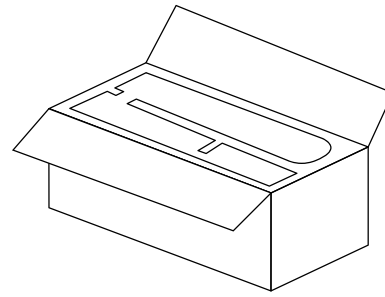
10. Do not use water or detergents when cleaning the fan or fan blades. A dry dust cloth or lightly dampened cloth will be suitable for most cleaning.

WARNING: To reduce the risk of personal injury, use **only** parts provided with this fan. **The use of parts OTHER than those provided with this fan will void the warranty.**

NOTE: The important safety precautions and instructions appearing in the manual are not meant to cover all possible conditions and situations that may occur. It must be understood that common sense and caution are necessary factors in the installation and operation of this fan.

1. Unpacking Your Fan.

Carefully open the packaging. Remove items from Styrofoam inserts. Remove motor housing and place on carpet or Styrofoam to avoid damage to finish. Do not discard fan carton or Styrofoam inserts should this fan need to be returned for repairs. Check against parts inventory that all parts have been included.



2. Parts Inventory.

a. canopy. 1 piece

b. hanging bracket. 1 piece

c. 4in. downrod and hanging ball. 1 piece

d. motor housing. 1 piece

e. blade arm. 5 pieces

f. 1-light kit fitter. 1 piece

f1. threaded washer (pre-attached to light kit fitter). 1 piece

f2. finial plate (pre-attached to light kit fitter). 1 piece

f3. finial (pre-attached to light kit fitter). 1 piece

f4. glass shade. 1 piece

f5. 13-watt compact fluorescent bulb. 1 piece

f6. 13-watt bulb, size GU 24. 1 piece

g. 4-light kit fitter. 1 piece

g1. glass shade. 4 pieces

g2. 13-watt compact fluorescent bulb. 4 pieces

h. 3-light kit fitter. 1 piece

h1. glass shade. 3 pieces

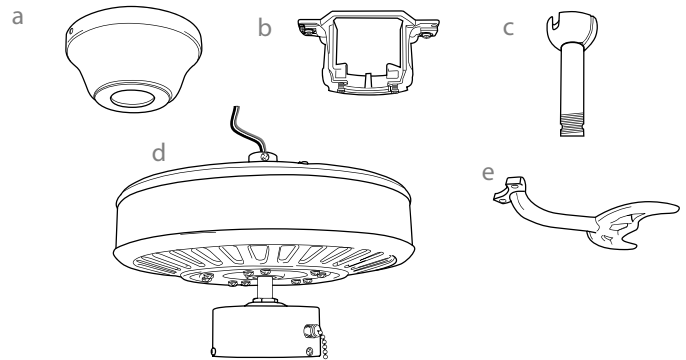
h2. 60-watt max. candelabra base bulb. 3 pieces

i. 1-light kit fitter. 1 piece

i1. glass shade. 1 piece

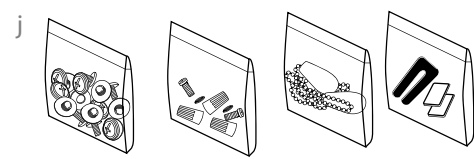
i2. 13-watt compact fluorescent bulb. 1 piece

j. hardware packs



Light Kits by Model Number:

<p>C201,C202, E201,E202, C207, C208, E207, E208</p> <p>f</p> <p>f5</p> <p>f6</p>	<p>C203,C204, E203,E204</p> <p>g</p> <p>g2</p>	<p>C205, C206, E205, E206</p> <p>h</p> <p>h2</p>
<p>C209,E209</p> <p>i</p> <p>i2</p>		



! IMPORTANT REMINDER: You must use the parts provided with this fan for proper installation and safety. **!**

3. Installation Preparation.

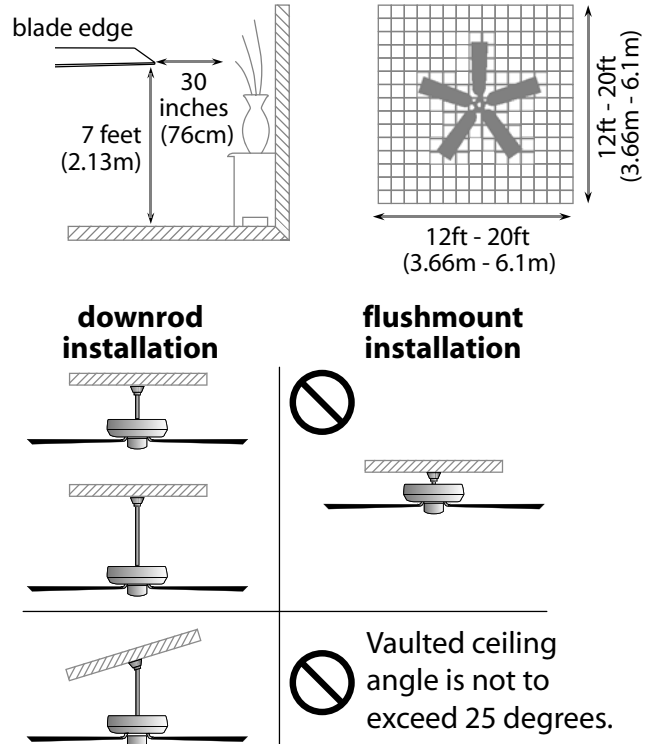
To prevent personal injury and damage, ensure that the hanging location allows the blades a clearance of 7 feet (2.13m) from the floor and 30in. (76cm) from any wall or obstruction.

This fan is suitable for room sizes up to 400 square feet (37.2 square meters).

This fan can be mounted with a **downrod** on a regular (no-slope) or vaulted ceiling. The hanging length can be extended by purchasing a longer downrod (0.5in./1.27cm diameter). Other installation, such as **flushmount**, is *not* available for this fan.

Installation requires these tools:

Phillips screwdriver, flathead screwdriver, adjustable pliers or wrench, stepladder, wire cutters, and rated electrical tape.



4. Hanging Bracket Installation.

Turn off circuit breakers to current fixture from breaker panel and be sure operating light switch is turned to the OFF position.

WARNING: Failure to disconnect power supply prior to installation may result in serious injury.

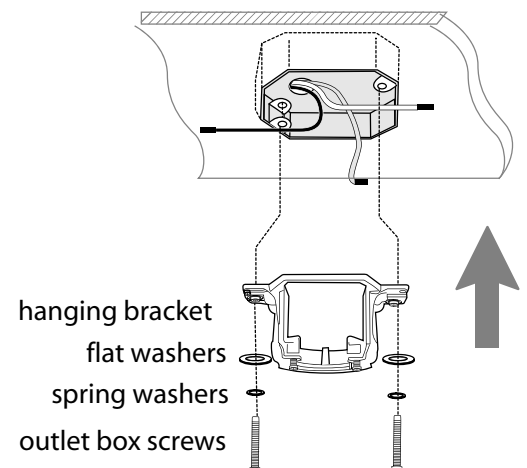
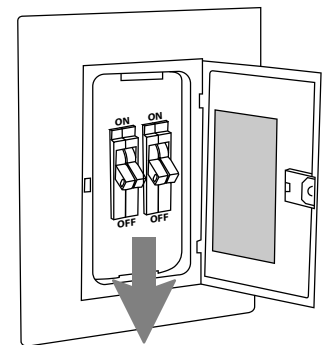
Remove existing fixture.

WARNING: When using an existing outlet box, be sure the outlet box is securely attached to the building structure and can support the full weight of the fan. Ensure outlet box is clearly marked "Suitable for Fan Support." If not, it must be replaced with an approved outlet box. Failure to do so can result in serious injury.

CAUTION: Be sure outlet box is grounded properly and that a ground wire (**GREEN** or bare) is present.

Install hanging bracket to outlet box using original screws, spring washers and flat washers provided with new or original outlet box.* If installing on a vaulted ceiling, face opening of hanging bracket towards high point of ceiling. Arrange electrical wiring around the back of the hanging bracket and away from the hanging bracket opening.

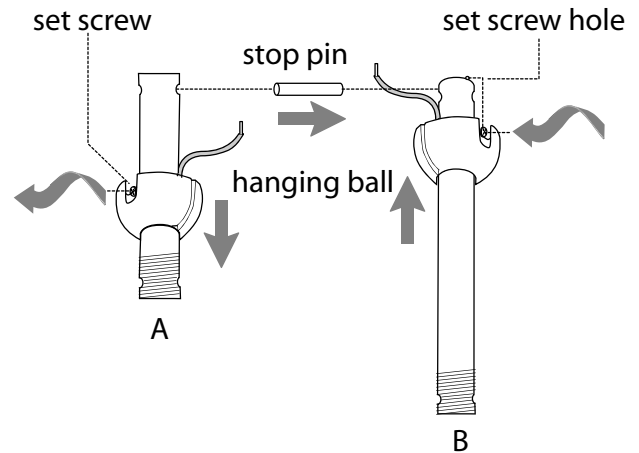
***Note:** It is very important that you use the proper hardware when installing the hanging bracket as this will support the fan.



5. Fan Assembly.

If you wish to change the hanging length of your fan, you must remove the hanging ball from the 4in. downrod provided to use with an extended downrod (sold separately). [If you wish to use the 4in. downrod, please proceed to instructions following the dotted line below.]

To remove hanging ball, loosen set screw on hanging ball, lower hanging ball and remove stop pin. Slide hanging ball off the original downrod, A, and slide it down the longer downrod, B (the top of the downrod should be noted as having a set screw hole; use this hole when setting the set screw). Insert stop pin into top of extended downrod and raise hanging ball. Be sure stop pin aligns with slots on the inside of the hanging ball. Tighten set screw securely.



Tip: To prepare for threading electrical wires through downrod, apply a small piece of electrical tape to the ends of the electrical wires--this will keep the wires together when threading them through the downrod.

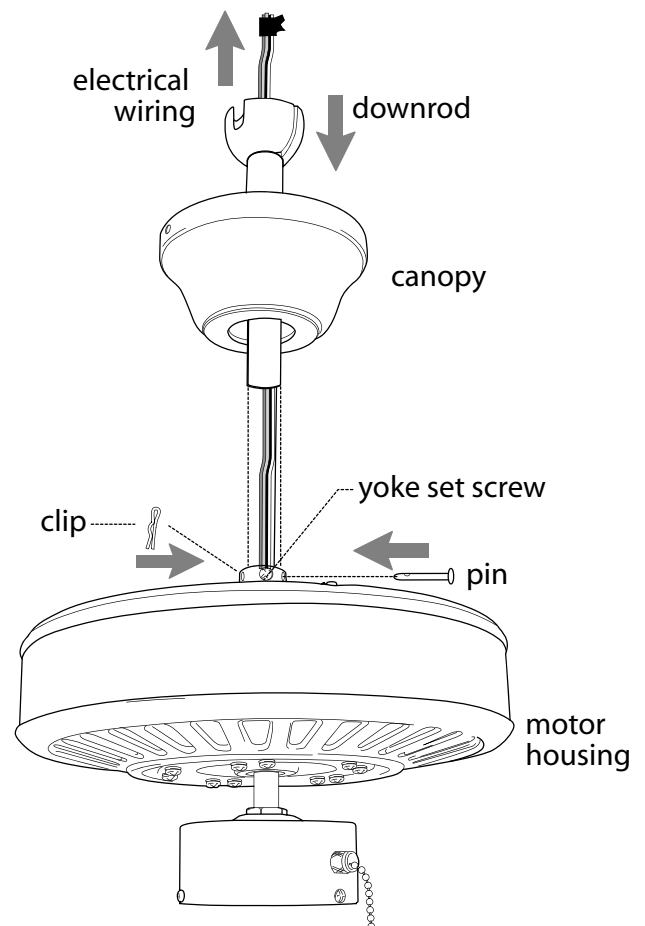
Loosen yoke set screws and nuts in yoke at top of motor and remove pin and clip from yoke at top of motor. Slide downrod through canopy.

Thread electrical wires through downrod and pull extra wire slack from the upper end of the downrod.

Thread downrod into the motor housing yoke until holes for pin and clip in downrod align with holes in yoke--make sure wires do not get twisted. Re-insert pin and clip that were previously removed. Tighten yoke set screws and nut securely. Lower canopy to motor housing.

["Fan Assembly" continued on next page.]

NOTE: The important safety precautions and instructions appearing in the manual are not meant to cover all possible conditions and situations that may occur. It must be understood that common sense and caution are necessary factors in the installation and operation of this fan



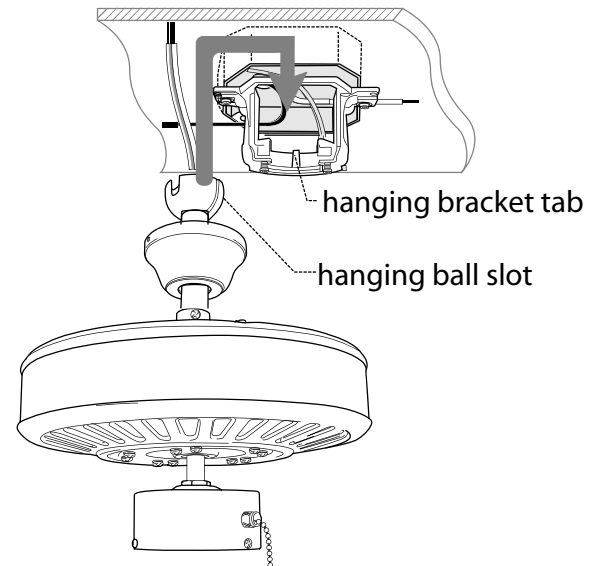
5. Fan Assembly. (cont.)

With the hanging bracket secured to the outlet box and able to support the fan, you are now ready to hang your fan. Grab the fan firmly with two hands. Slide downrod through opening in hanging bracket and let hanging ball rest on the hanging bracket. Turn the hanging ball slot until it lines up with the hanging bracket tab.

WARNING: Failure to align slot in hanging ball with tab in hanging bracket may result in serious injury or death.

Tip: Seek the help of another person to hold the stepladder in place and to lift the fan up to you once you are set on the ladder.

Continue to "Wiring" section for wiring diagram.



6. Wiring.

CAUTION: Be sure outlet box is properly grounded and that a ground wire (**GREEN** or Bare) is present.

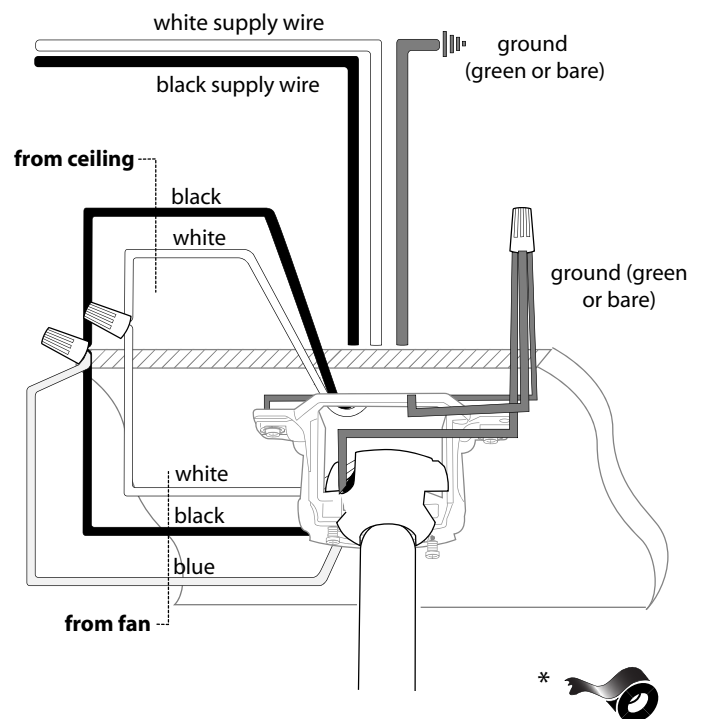
Make sure all electrical connections comply with Local Codes or Ordinances and the National Electrical Code. If you are unfamiliar with electrical wiring or if the house/building wires are different colors than those referred to below, please use a qualified electrician.

When downrod is secured in place on the hanging bracket, electrical wiring can be made as follows: Connect **BLACK** and **BLUE** wire from fan to **BLACK** wire from ceiling with wire connector provided. Connect **WHITE** wire from fan to **WHITE** wire from ceiling with wire connector provided. Connect all **GROUND (GREEN)** wires together from fan to **BARE/GREEN** wire from ceiling with wire connector provided.

If you intend to control the fan light with a separate light switch, connect **BLUE** wire from fan to the **BLACK** (or **RED**) supply from the independent switch.

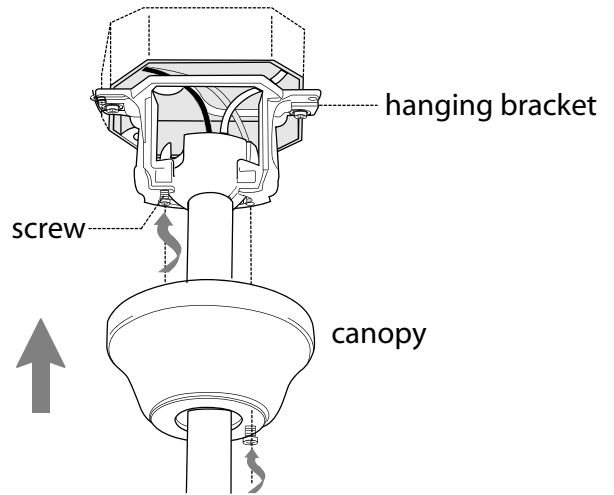
* Wrap each wire connector separately with electrical tape as an extra safety measure.

This fan is remote control adaptable (remote control sold separately).



7. Canopy Assembly.

Locate 2 screws on underside of hanging bracket and remove screw closest to the open end of the hanging bracket. Partially loosen the other screw. Lift canopy to hanging bracket. Place rounded part of slotted hole in canopy over loosened screw in hanging bracket and push up. Twist canopy to lock. Re-insert screw that was removed, and then tighten both screws securely.



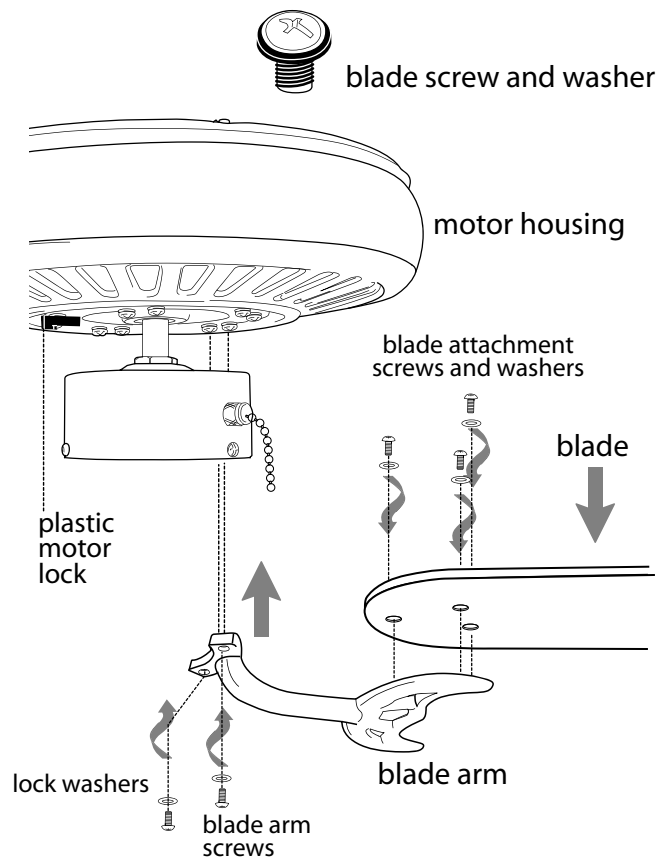
8. Blade Assembly.

Time Saver: Washers for blade screws can be set on each blade screw prior to installing blades.

Locate 15 blade attachment screws and washers in hardware pack. Hold blade arm up to blade (sold separately) and align holes. Insert 3 blade attachment screws (along with washers) with fingers first and then tighten screws securely with Phillips screwdriver. Repeat procedure for the remaining blades.

Remove blade arm screws and lock washers from underside of motor. If plastic motor locks are installed with blade arm screws, discard plastic motor locks (*save blade arm screws and lock washers to secure blade arms*). Align blade arm holes with motor screw holes and attach blade arm with lock washers and blade arm screws. Before securing screws permanently, repeat procedure with remaining blade arms. Securely tighten all screws.

Note: Tighten blade arm screws twice a year.



9. Light Kit Assembly, 1-light Options.

*For **Models C201, C202, E201, E202, C207, C208, E207** and **E208**, follow instructions on this page.

*For **Models C209** and **E209**, proceed to instructions on page 8.

Remove 3 screws from switch housing cap (at top of light kit fitter).

Locate **BLUE** (or **BLACK**) and **WHITE** wires in switch housing labeled FOR LIGHT KIT CONNECTION. Remove and discard plastic that holds these 2 wires together.

Connect **WHITE** wire from switch housing to **WHITE** wire from light kit fitter. Connect **BLUE** (or **BLACK**) wire from switch housing to **BLACK** wire from light kit fitter. Be sure molex connections snap together completely.

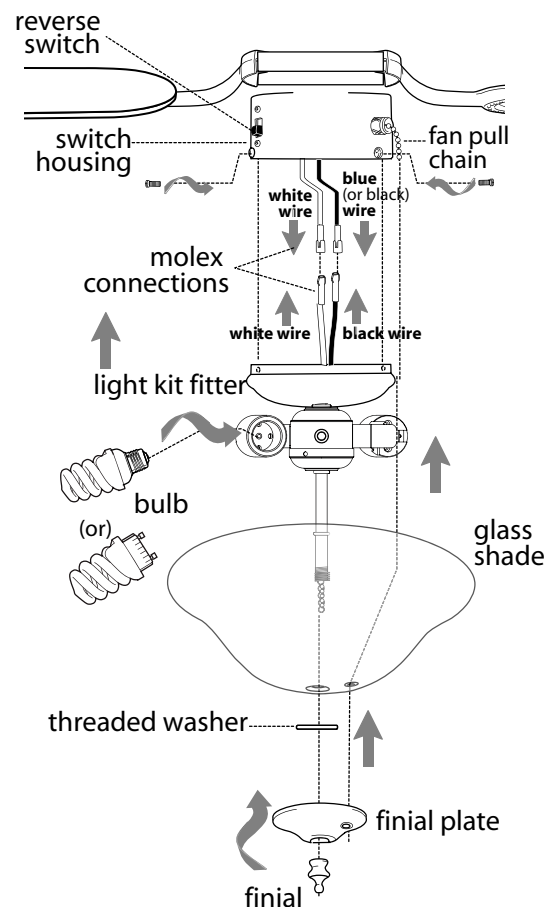
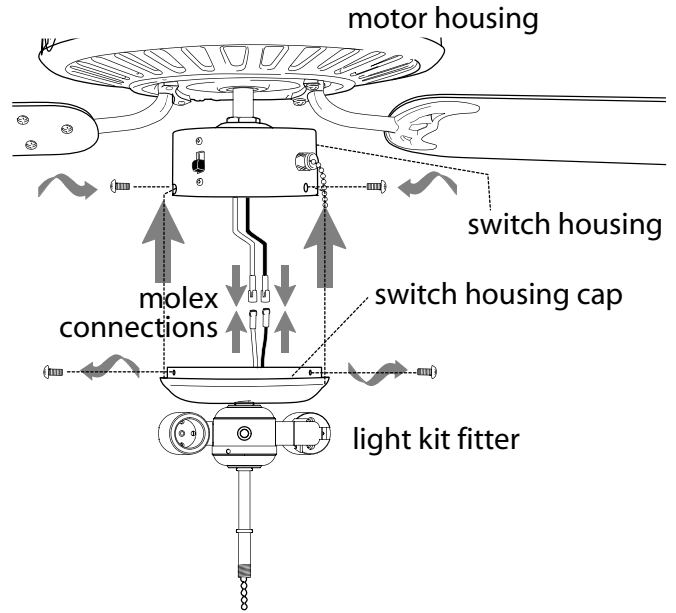
Align holes in switch housing cap with holes in switch housing. (**Note:** The gap on the edge of the switch housing cap must align with the reverse switch on the switch housing for the proper fit.) Re-insert screws that were previously removed. Securely tighten all 3 screws with Phillips screwdriver.



Install bulbs included with light kit.

Important: When you need to replace bulbs, please allow bulbs and glass shade to cool down before touching them.

Remove finial, finial plate and threaded washer from threaded rod on light kit fitter. Raise glass shade in order to guide pull chains through appropriate holes at bottom of glass shade. Align threaded rod on light kit fitter with hole in middle of glass shade and push up gently, allowing threaded rod to come through hole. (*Be sure pull chain for fan operation does not rub against bulb during operation.*) Secure glass shade with threaded washer. **Note:** Do NOT overtighten threaded washer as glass may crack or break. Align hole in center of finial plate with threaded rod, allowing pull chains to come through appropriate holes in finial plate, and push up. Thread center pull chain through hole in finial and re-attach finial. **Note:** Do NOT overtighten finial as glass may crack or break.

Please proceed to Section 11 on page 10 to complete installation.



	LAMP CONTAINS MERCURY	
<small>Manage in accordance with Spills, Disposal and Site Cleanup Requirements. In case of breakage, follow clean-up procedures provided by contacts below.</small>		
<small>www.epa.gov/cflcleanup 1-866-284-4010</small>		

9. Light Kit Assembly, 1-light Options. (cont.)

(Only for models C209 and E209)

Remove 3 screws from switch housing cap (at top of light kit fitter). Make sure pull chain is threaded through corresponding hole in light kit fitter.

Locate **BLUE** (or **BLACK**) and **WHITE** wires in switch housing labeled FOR LIGHT KIT CONNECTION. Remove and discard plastic that holds these 2 wires together.

Connect **WHITE** wire from switch housing to **WHITE** wire from light kit fitter. Connect **BLUE** (or **BLACK**) wire from switch housing to **BLACK** wire from light kit fitter. Be sure that molex connections snap together completely.

Align holes in switch housing cap with holes in switch housing. (**Note:** The gap on the edge of the switch housing cap must align with the reverse switch on the switch housing for the proper fit.) Attach light kit fitter with screws that were previously removed. Securely tighten all 3 screws with Phillips screwdriver.

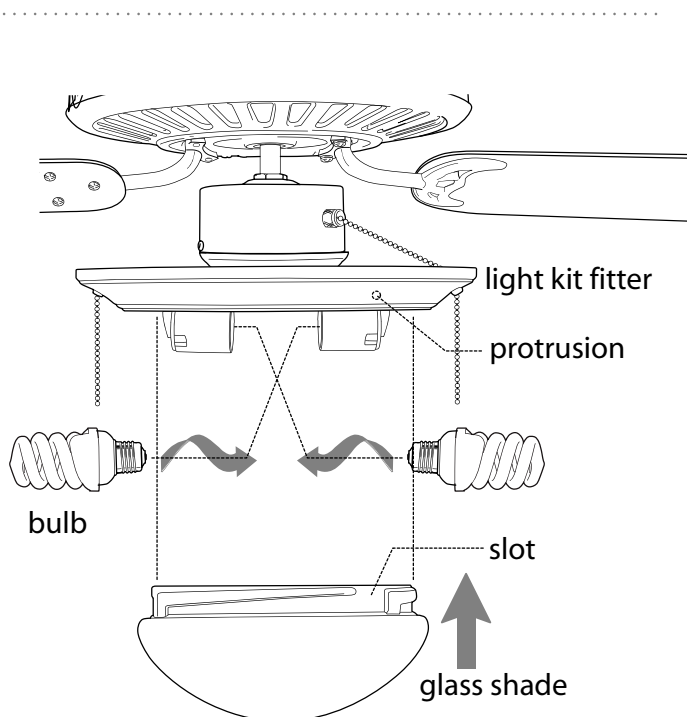
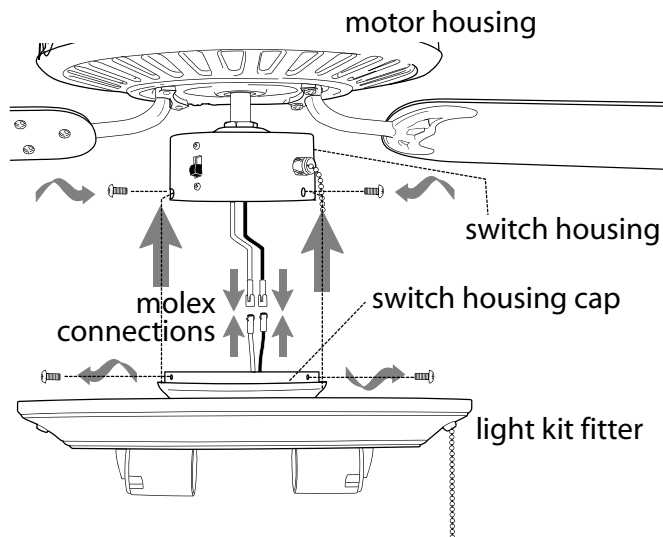
Thread fan pull chain through corresponding hole in light kit fitter.



Install bulbs included with light kit.

Important: When replacing bulbs, please allow bulb(s) and glass shade to cool down before touching them.

Locate slots on glass shade and align with protrusions on light kit fitter. Push up gently on glass shade and turn to the **RIGHT** (clockwise) until glass shade locks into place. Pull down *gently* on glass shade to make sure that it is secure.

Please proceed to Section 11 on page 10 to complete installation.



 **LAMP CONTAINS MERCURY** 

Manage in accordance with Spills, Disposal and Site Cleanup Requirements. In case of breakage, follow clean-up procedures provided by contacts below.

www.epa.gov/cflcleanup
1-866-284-4010

10. Light Kit Assembly, 3 or 4-light Options.

Remove 3 screws from top of light kit fitter.

Locate **BLUE** (or **BLACK**) and **WHITE** wires in switch housing labeled FOR LIGHT KIT CONNECTION. Remove and discard plastic that holds these 2 wires together.

Next, locate **WHITE** and **BLACK** wires in light kit fitter labeled FOR LIGHT.

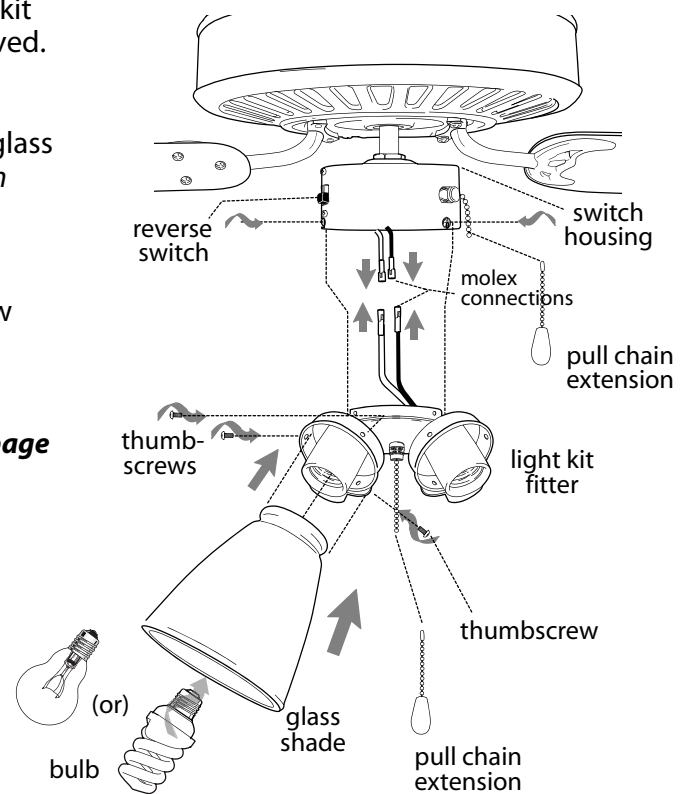
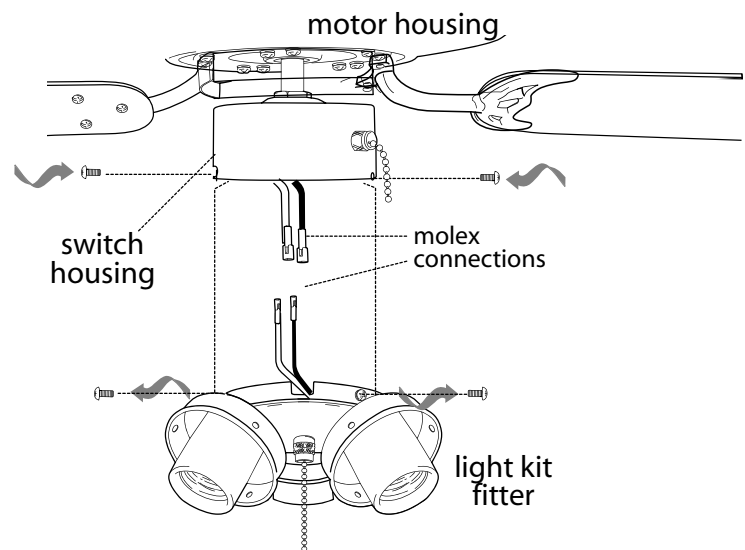
Connect the **WHITE** wire from the light kit fitter to the **WHITE** wire from the switch housing. Connect the **BLACK** wire from the light kit fitter to the **BLUE** (or **BLACK**) wire from the switch housing. Be sure the molex connections snap together securely.

Align holes in light kit fitter with holes in switch housing. **[Note: The gap on the top edge of the light kit fitter must align with reverse switch on the switch housing for the proper fit.]** Attach light kit fitter with 3 screws that were previously removed. Secure all 3 screws with Phillips screwdriver.

Loosen thumbscrews in light kit fitter. Attach glass shades using thumbscrews. *Do NOT overtighten thumbscrews as glass may crack or break.*

Install bulbs included with light kit.
Important: When replacing bulbs, please allow bulbs and glass shades to cool down before touching them.

Please proceed to Section 11 on the following page to complete installation.



11. Testing Your Fan.

It is recommended that you test fan before finalizing installation. Restore power from circuit box and light switch (if applicable). Test fan speeds with the pull chain on the switch housing. Start at the OFF position (no blade movement). First pull will set the fan to HI. Second pull will set the fan to MEDIUM. Third pull will set the fan to LOW. Fourth pull will again set the fan to the OFF setting. Test light(s) with the pull chain in the middle. If fan and/or light(s) do (does) not function, please refer to "Troubleshooting" section to solve any issues before contacting Customer Service.

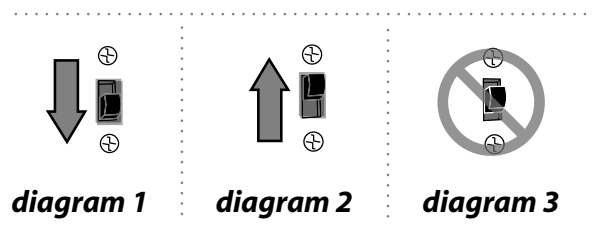
Turn fan completely off *before* moving the reverse switch. Set reverse switch to recirculate air depending on the season:

- DOWN position in summer (**diagram 1**)
- UP position in winter (**diagram 2**)

A ceiling fan will allow you to raise your thermostat setting in summer and lower your thermostat setting in winter without feeling a difference in your comfort.

Important: Reverse switch must be set either *completely UP* or *completely DOWN* for fan to function. If the reverse switch is set in the *middle* position (**diagram 3**), fan will not operate.

Attach pull chain extensions supplied or custom pull chain extensions (sold separately) to ends of the pull chains.



Troubleshooting.

WARNING: Failure to disconnect power supply prior to troubleshooting any wiring issues may result in serious injury.

Problem: Fan fails to operate.

Solutions:

1. Check wall switch to fan.
2. Verify that reverse switch is set completely in either direction.
3. Check to be sure fan is wired properly.

Problem: Light kit not lighting.

Solutions:

1. Check wall switch to fan.
2. Check that bulbs are installed correctly.
3. Check to be sure wires in canopy are wired properly.
4. Verify that mox connections are connected properly in switch housing.
5. Check to be sure that bulbs total no more than 190W. [Note: Lamping light kit with bulbs that total more than 190W will cause the wattage limiting device to interrupt the flow of electricity to the light kit.]

Problem: Fan operates but light(s) fail(s).

Solutions:

1. Check that bulbs are installed correctly.
2. Check to be sure wires in canopy are wired properly.
3. Verify that mox connections are connected properly in switch housing.
4. Replace defective bulbs with same type of bulb.
5. Check to be sure that bulbs total no more than 190W. [Note: Lamping light kit with bulbs that total more than 190W will cause the wattage limiting device to interrupt the flow of electricity to the light kit.]

Problem: Fan wobbles.

Solutions:

1. Use the balancing kit in one of the hardware packs. *If no blade balancing kit is provided, please call Customer Support, 1-800-486-4892, to request one.*
2. Check to be sure set screw(s) on motor housing yoke is (are) tightened securely.
3. Check to be sure set screw on hanging ball is tightened securely.

Warranty.

CRAFTMADE/ELLINGTON LIFETIME WARRANTY:

CRAFTMADE/ELLINGTON warrants this fan to the original household purchaser for indoor use under the following provisions:

1-YEAR WARRANTY: CRAFTMADE/ELLINGTON will replace or repair any fan which has faulty performance due to a defect in material or workmanship. Contact

Craftmade/Ellington Customer Service at **1-800-486-4892** to arrange for return of fan. Return fan, shipping prepaid, to Craftmade/Ellington. We will repair or ship you a replacement fan, and we will pay the return shipping cost.

5-YEAR WARRANTY: CRAFTMADE/ELLINGTON will repair or replace, at no charge to the original purchaser, any fan motor that fails to operate satisfactorily when failure results from normal use.

RETURN FAN MOTOR ONLY, shipping prepaid, to Litex Industries. We will repair or ship purchaser a replacement motor and Litex will pay the return shipping cost.

6-YEAR to LIFETIME LIMITED WARRANTY:

CRAFTMADE/ELLINGTON will repair the fan, at no charge for labor only to the original purchaser, if the fan motor fails to operate satisfactorily when failure results from normal use. Parts used in the repair will be billed to the purchaser at prevailing prices at time of repair.

The purchaser shall be responsible for all costs incurred in the removal, reinstallation and shipping of the product for repairs.

This warranty does not apply when damage from mechanical, physical, electrical or water abuse results in causing the malfunction. Deterioration of finishes or other parts due to time or exposure to salt air is specifically exempted under this warranty.

Neither Craftmade/Ellington nor the manufacturer will assume any liability resulting from improper installation or use of this product. In no case shall the company be liable for any consequential damages for breach of this, or any other warranty expressed or implied whatsoever. This limitation as to consequential damages shall not apply in states where prohibited.

Parts Replacement.

For parts and information, please refer to "Parts Inventory" on page 2.

Craftmade/Ellington Customer Support:

1-800-486-4892

www.craftmadebrands.com

LEER ESTAS INSTRUCCIONES Y
GUARDARLAS PARA UTILIZACION FUTURA

Ventilador Pro Builder

El reglamento federal requiere que un ventilador de techo con juego de luz fabricado o importado después del 1^{ro} de enero del 2009 limite el vatiaje total que consume el juego de luz a 190W. Por lo tanto, este ventilador tiene un aparato que sirve para limitar el vatiaje.



Guía de instalación

Para modelos:

C201	E201
C202	E202
C203	E203
C204	E204
C205	E205
C206	E206
C207	E207
C208	E208
C209	E209

Índice de materias:

Sugerencias de seguridad.	Pág. 1
Desempaquetado del ventilador.	Pág. 2
Inventario de piezas.	Pág. 2
Preparación para la instalación.	Pág. 3
Instalación del soporte de montaje.	Pág. 3
Ensamblaje del ventilador.	Págs. 4 - 5
Instalación eléctrica.	Pág. 5
Colocación de la cubierta decorativa.	Pág. 6
Colocación de las aspas.	Pág. 6
Instalación del juego de luz, opciones de 1 sola luz.	Págs. 7 - 8
Instalación de juego de 3 o 4 luces.	Pág. 9
Verificación del funcionamiento del ventilador.	Pág. 10
Localización de fallas.	Pág. 11
Garantía.	Pág. 11
Piezas de repuesto.	Pág. 11



LISTED
E192641

peso neto de los ventiladores: 6,1 kg (13,45 lb) C201,C202, E201, E202
6,87 kg (15,15 lb) C203,C204, E203, E204
6,2 kg (13,67 lb) C205,C206, E205, E206
6,32 kg (13,93 lb) C207, C208, E207, E208
6 kg (13,23 lb) C209, E209

IMPRESO EN CHINA

SUGERENCIAS DE SEGURIDAD.

ADVERTENCIA: Para evitar la posibilidad de una descarga eléctrica, desconectar la corriente en la caja de fusibles principal o el interruptor protector antes de iniciar la instalación del ventilador o antes de repararlo o instalar accesorios.

1. **LEER TODAS LAS INSTRUCCIONES E INFORMACION DE SEGURIDAD CUIDADOSAMENTE ANTES DE INSTALAR SU VENTILADOR Y GUARDAR ESTAS INSTRUCCIONES.**

PRECAUCION: Para reducir el riesgo de daño corporal, es posible que sea necesario usar guantes al manejar las piezas del ventilador que tengan bordes afilados.

2. Asegurarse de que todas las conexiones eléctricas cumplan con los Códigos o las Ordenanzas Locales, el Código Nacional Eléctrico y ANSI/NFPA 70-1999. Si usted no está familiarizado con el alambrado eléctrico o los cables de la casa/el edificio son de colores diferentes a los cuales se refieren en las instrucciones, favor de buscar un electricista calificado.
3. Asegurarse de que haya localizado una ubicación para su ventilador que permite el espacio necesario para la rotación de las aspas, y por lo menos 2,13 metros (7 pies) de espacio libre entre el piso y las puntas de las aspas. Debe instalar el ventilador para que las puntas de las aspas queden a una distancia de por lo menos 76 centímetros (30 pulgadas) de las paredes y otras estructuras verticales.
4. La caja de salida eléctrica debe estar bien sujeta a la viga de soporte del techo y deben ser capaces de sostener por lo menos 16 kilogramos (35 libras). La caja de salida debe tener apoyo directo de la estructura del edificio. Sólo usar cajas de salida registradas con UL que indican que "sirven para ventilador" ("FOR FAN SUPPORT" en inglés).

ADVERTENCIA: Para reducir el riesgo de incendio, descarga eléctrica o daño corporal, instalar en la caja de salida marcada "Aceptable para sostener ventilador de 15,9 kg (35 lb) o menos" ["Acceptable for Fan Support of 15.9 kg (35 lb) or less"] y utilizar los tornillos proporcionados con la caja de salida. La mayoría de las cajas de salida que normalmente se usan para sostener los aparatos de alumbrado no siempre son apropiadas para sostener ventiladores y es posible que las tenga que reemplazar. En caso de duda, consultar con un electricista calificado.

ADVERTENCIA: Para reducir el riesgo de incendio, descarga eléctrica o daño corporal, los conectores para cable provistos con este ventilador son diseñados para aceptar sólo un cable de calibre 12 de la casa y dos cables principales del ventilador. Si el calibre del cable de la casa es superior al 12 o hay más de un cable de la casa para conectar a los cables principales del ventilador al cual corresponda cada uno, consultar con un electricista para informarse sobre el tamaño correcto de conectores para cable que se debe usar.

5. Los diagramas eléctricos son únicamente para referencia. Los juegos de luz que no se incluyen con el ventilador deben tener el símbolo UL y también deben indicar que sirven para uso con este ventilador. Los interruptores deben ser interruptores de uso general UL. Referirse a las instrucciones incluidas con el juego de luz y los interruptores para ensamblarlos correctamente.
6. Después de haber terminado la instalación, asegurarse de que todas las conexiones estén totalmente seguras.
7. Después de haber terminado todas las conexiones eléctricas, los conductores empalmados deben ser volteados para arriba y colocados cuidadosamente dentro de la caja de salida. Los alambres se deben de separar con el conductor a tierra a un lado y el conductor a tierra del equipo al lado opuesto.

ADVERTENCIA: Para reducir el riesgo de incendio o una descarga eléctrica, no usar el ventilador con ningún control de velocidad de estado sólido ni controlar la velocidad del ventilador con un interruptor con reductor de luz de gama completa. [El usar un interruptor con reductor de luz de gama completa para controlar la velocidad del ventilador causará un zumbido recio del ventilador.] (**Nota:** Este ventilador sí sirve para usar con control remoto.)

8. No utilizar el interruptor de reversa hasta que el ventilador se haya parado completamente.
9. No insertar ningún objeto entre las aspas mientras estén rotando.

ADVERTENCIA: Para reducir el riesgo de daño corporal, no doblar los brazos de las aspas durante el ensamblaje ni durante la instalación. No insertar objetos entre las aspas mientras estén rotando.

ADVERTENCIA: Para reducir el riesgo de daño corporal o algún daño al ventilador, tener cuidado al estar trabajando alrededor del ventilador o limpiándolo.

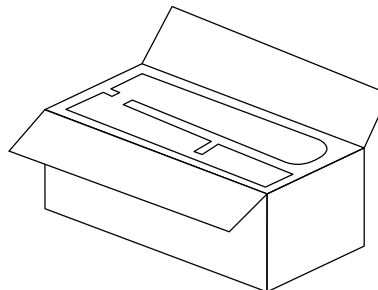
10. No utilizar agua ni detergentes para limpiar el ventilador ni las aspas. Usar un trapo seco o ligeramente húmedo para su limpieza general.

ADVERTENCIA: Para reducir el riesgo de daño corporal, usar **sólo** las piezas provistas con este ventilador. **Al usar piezas DISTINTAS a las provistas con este ventilador se invalidará la garantía.**

NOTA: No se debe concluir que las precauciones de seguridad importantes e instrucciones en este manual van a abarcar todas las condiciones y situaciones posibles que puedan ocurrir. Se debe entender que el sentido común y la precaución son factores necesarios en la instalación y la operación de este ventilador.

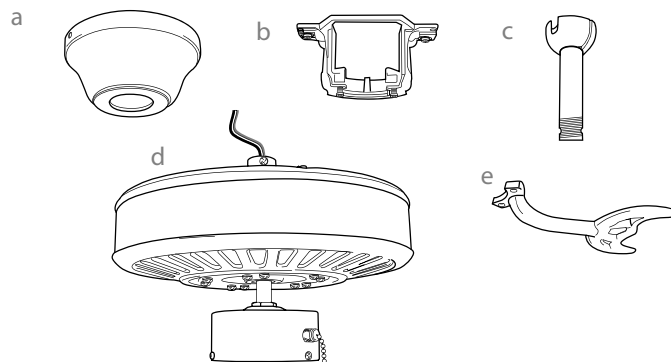
1. Desempaquetado del ventilador.

Abrir el empaque cuidadosamente. Sacar los artículos del embalaje. Sacar el motor y ponerlo en una alfombra o en el embalaje para evitar rayar el acabado. Guardar la caja de cartón o el empaquetamiento original en caso de que tenga que mandar el ventilador para alguna reparación. Comprobar las piezas del ventilador con el inventario de piezas y verificar que se incluyeron todas.



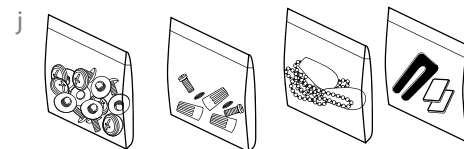
2. Inventario de piezas.

- a.** cubierta decorativa. 1 unidad
- b.** soporte de montaje. 1 unidad
- c.** tubo de 10,16cm y bola que sirve para colgar. 1 unidad
- d.** bastidor del motor. 1 unidad
- e.** brazo para el aspa. 5 unidades
- f.** conector para juego de luz, 1 sola luz. 1 unidad
 - f1.** arandela con rosca (fijada de antemano al conector para el juego de luz). 1 unidad
 - f2.** placa del adorno con rosca (fijada de antemano al conector para el juego de luz). 1 unidad
 - f3.** adorno con rosca (fijado de antemano al conector para el juego de luz). 1 unidad
 - f4.** pantalla de vidrio. 1 unidad
 - f5.** bombilla fluorescente compacta de 13 vatios. 1 unidad
 - f6.** bombilla GU24 de 13 vatios. 1 unidad
- g.** conector para el juego de luz, 4 luces. 1 unidad
 - g1.** pantalla de vidrio. 4 unidades
 - g2.** bombilla fluorescente compacta de 13 vatios. 4 unidades
- h.** conector para el juego de luz, 3 luces. 1 unidad
 - h1.** pantalla de vidrio. 3 unidades
 - h2.** bombilla de base candelabro de 60 vatios. 3 unidades
- i.** conector para el juego de luz, 1 sola luz. 1 unidad
 - i1.** pantalla de vidrio. 1 unidad
 - i2.** bombilla fluorescente compacta de 13 vatios. 1 unidad
- j.** paquetes de artículos de ferretería



Juegos de luz por el numero de modelo:

C201, C202, E201, E202, C207, C208, E207, E208	C203, C204, E203, E204	C205, C206, E205, E206
		C209, E209



! RECORDATORIO IMPORTANTE:
Se tienen que utilizar las piezas provistas con este ventilador para una instalación adecuada y su seguridad. **!**

3. Preparación para la instalación.

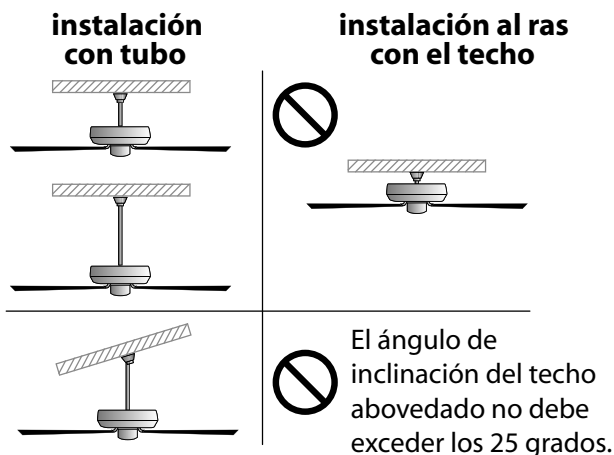
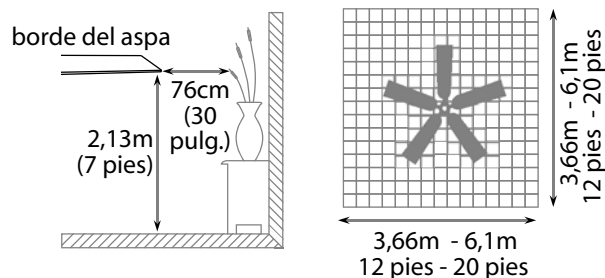
Para prevenir daño corporal y otros daños, estar seguro de que el lugar en donde va a colgar el ventilador le permite un espacio libre de 2,13m (7 pies) entre las puntas de las aspas y el piso y 76cm (30 pulg.) entre las aspas y cualquier pared u otra obstrucción.

Este ventilador es adecuado para habitaciones hasta 37,2 metros cuadrados (400 pies cuadrados).

Se puede colgar este ventilador **con tubo** en un techo regular (sin inclinación) o abovedado. La longitud colgante se puede extender comprando un tubo más largo (con diámetro de 1,27cm/0,5 pulg.). No hay ningún otro tipo de instalación, como **al ras con el techo**, disponible para este ventilador.

Se necesitan las herramientas siguientes para la instalación:

Destornillador de estrella Phillips, destornillador de paleta (plano), alicates ajustables o llave de tuercas, escalera de tijera, cortaalambres y cinta aisladora.



4. Instalación del soporte de montaje.

Apagar los cortacircuitos en el panel de electricidad que suplen corriente a la caja de salida y asegurarse de que el interruptor de luz esté APAGADO.

ADVERTENCIA: El no desconectar el suministro de fuerza antes de la instalación puede tener por resultado lesiones graves.

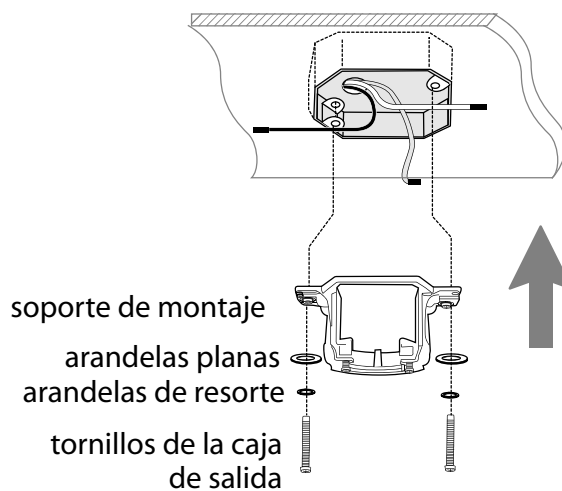
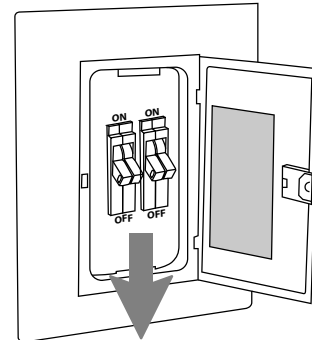
Quitar el aparato existente.

ADVERTENCIA: Si utiliza una caja de salida existente, asegurarse de que la caja de salida esté firmemente conectada a la estructura del edificio y que sea capaz de sostener el peso total del ventilador. Asegurarse de que la caja de salida indique claramente que "Sirve para ventilador" (FOR FAN SUPPORT); si no, se debe reemplazar con una caja de salida aprobada. El no hacer el cambio si es necesario puede resultar en lesiones graves.

PRECAUCION: Asegurarse de que la caja de salida esté conectada a tierra correctamente y que haya un conductor a tierra (VERDE o pelado).

Instalar el soporte de montaje utilizando los tornillos originales, las arandelas de resorte y las arandelas planas de su nueva o existente caja de salida.* Si hace la instalación en un techo abovedado, colocar el soporte de montaje con la abertura dirigida hacia la parte alta del techo. Arreglar el alambrado eléctrico (los cables) en la parte de atrás del soporte y lejos de la abertura del soporte.

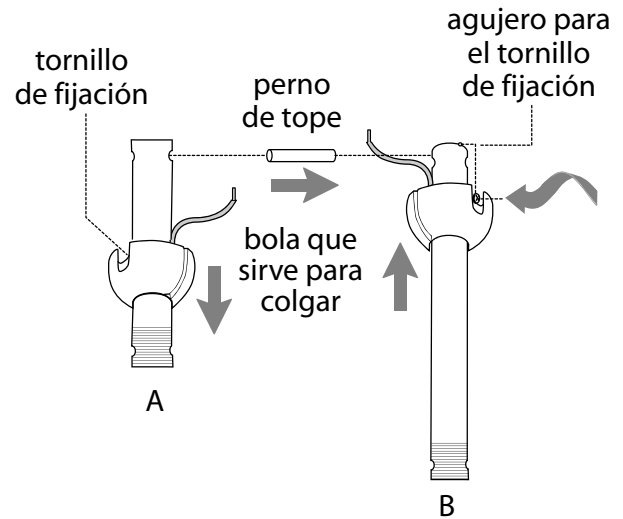
*Nota: Es muy importante usar los artículos de ferretería correctos al instalar el soporte de montaje puesto que sirve para sostener el ventilador.



5. Ensamblaje del ventilador.

Si usted desea extender la longitud colgante del ventilador, usted tendrá que quitar la bola que se sirve para colgar del tubo de 10,16cm provisto para usarla con un tubo más largo (a la venta por separado). [Si desea utilizar el tubo de 10,16cm, favor de pasar a las instrucciones después de la línea punteada corta más abajo.]

Para quitar la bola que sirve para colgar, aflojar el tornillo de fijación de la bola que sirve para colgar, bajar la bola que sirve para colgar y sacar el perno de tope. Quitar la bola que sirve para colgar del tubo original, A, y deslizarla sobre el tubo más largo, B (la parte de arriba del tubo debe tener el agujero para el tornillo de fijación en ese extremo; usar ese agujero al colocar el tornillo de fijación). Introducir el perno de tope en la parte de arriba del tubo más largo y subir la bola que sirve para colgar. Asegurarse de que el perno de tope se ponga en línea con las ranuras dentro de la bola que sirve para colgar. Apretar bien el tornillo de fijación.



Sugerencia: Para preparar los cables para pasarlos por el tubo, poner un pedacito de cinta aisladora en la punta de los cables--esto mantendrá los cables juntos al pasarlos por el tubo.

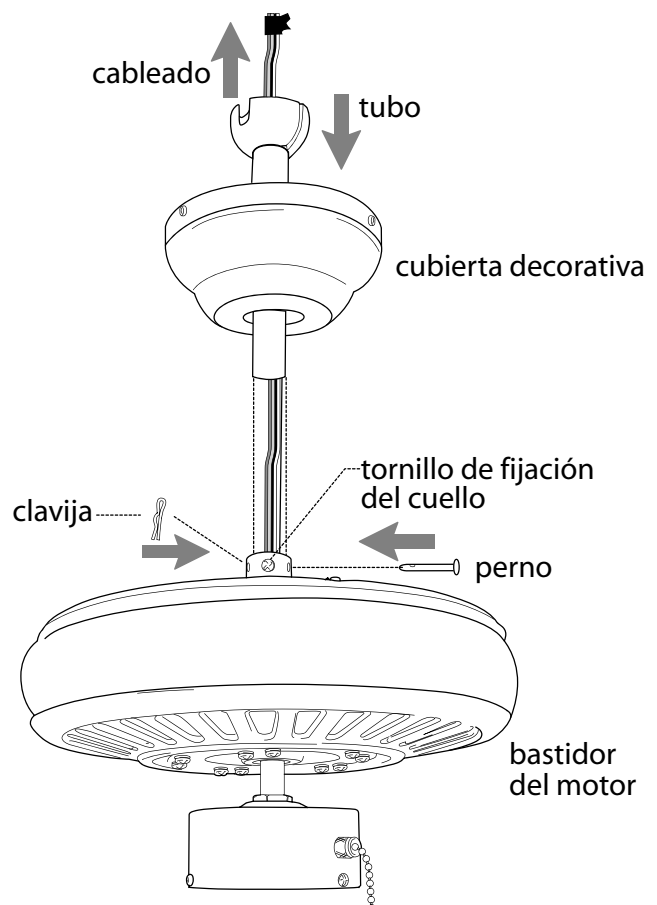
Aflojar los tornillos de fijación del cuello y las tuercas en el cuello en la parte superior del motor y quitar el perno y la clavija del cuello en la parte superior del motor. Pasar el tubo por la cubierta decorativa.

Pasar los cables del ventilador a través del tubo y con cuidado jalar el cableado en exceso por la parte de arriba del tubo.

Enroskar el tubo en el cuello del bastidor del motor hasta alinearse los agujeros para el perno y la clavija en el tubo con los del cuello--asegurarse de que no se tuerzan los cables. Volver a introducir el perno y la clavija que se quitaron anteriormente. Apretar los tornillos de fijación del cuello y las tuercas completamente. Bajar la cubierta decorativa hasta el bastidor del motor.

[El "Ensamblaje del ventilador" continúa en la página siguiente.]

NOTA: No se debe concluir que las precauciones de seguridad importantes e instrucciones en este manual van a abarcar todas las condiciones y situaciones posibles que puedan ocurrir. Se debe entender que el sentido común y la precaución son factores necesarios en la instalación y la operación de este ventilador.



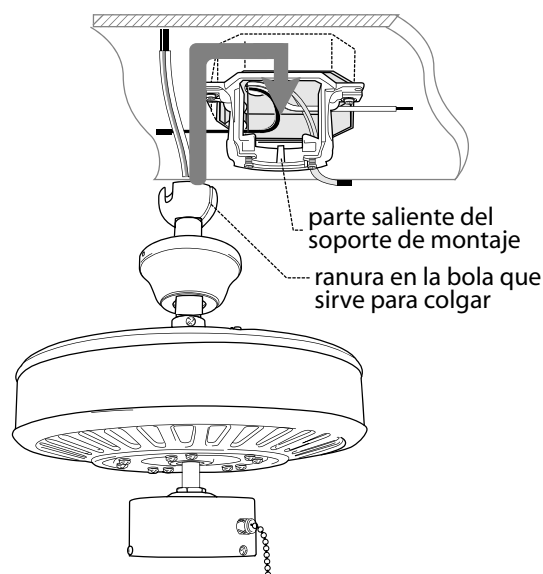
5. Ensamblaje del ventilador. (cont.)

Ya que esté sujetado el soporte de montaje a la caja de salida y capaz de apoyar el ventilador, usted está listo para colgar el ventilador. Agarrar el ventilador firmemente con las dos manos. Deslizar el tubo por la abertura del soporte de montaje y dejar que se detenga la bola en el soporte de montaje. Girar la bola que sirve para colgar hasta que la ranura de la bola se alinee con la parte saliente del soporte de montaje.

ADVERTENCIA: El no alinear la ranura en la bola que sirve para colgar con la parte saliente del soporte de montaje puede causar lesiones graves o la muerte.

Sugerencia: Solicitar ayuda de otra persona para mantener la escalera sujeta y para que le suba el ventilador cuando usted ya esté preparado en la escalera para colgarlo.

Ver la sección "Instalación eléctrica" para el diagrama de instalación alámbrica.



6. Instalación eléctrica.

PRECAUCION: Asegurarse de que la caja de salida esté conectada a tierra como es debido y que exista un conductor a tierra (**VERDE** o **pelado**).

Asegurarse de que toda conexión eléctrica cumpla con los Códigos o las Ordenanzas Locales y el Código Nacional Eléctrico. Si usted no está familiarizado con la instalación eléctrica o los cables de la casa/el edificio son de colores diferentes a los cuales se refieren a continuación, favor de buscar un electricista calificado.

Una vez que el ventilador esté sujetado en el soporte de montaje, se puede hacer la instalación eléctrica como sigue:

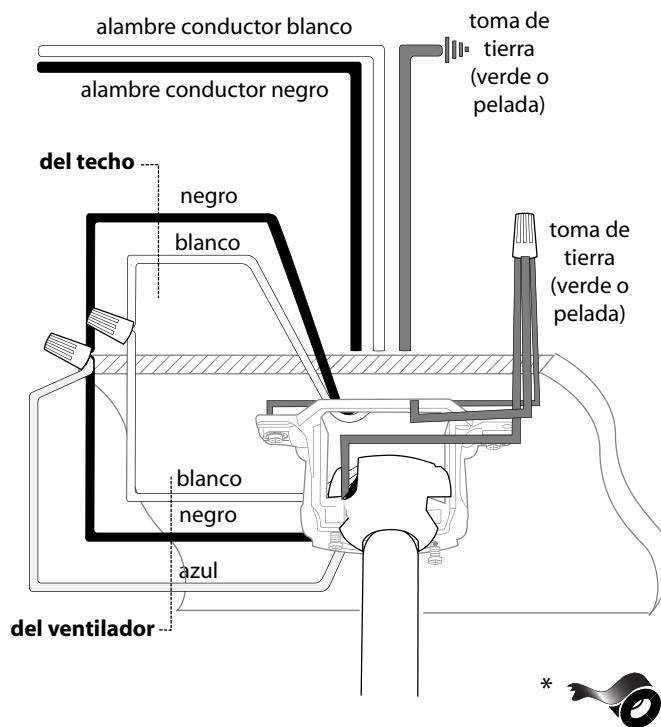
Conectar el cable **NEGRO** y el **AZUL** del ventilador al cable **NEGRO** que sale del techo con un conector para cable provisto.

Conectar el cable **BLANCO** del ventilador al cable **BLANCO** del techo con un conector para cable provisto.
Conectar todos los conductores a **TIERRA (VERDES)** del ventilador a los **PELADOS/VERDES** del techo con un conector para cable provisto.

Si usted piensa controlar la luz del ventilador con un interruptor distinto, conectar el cable **AZUL** del ventilador al conductor **NEGRO** (o **ROJO**) que corresponde al interruptor independiente.

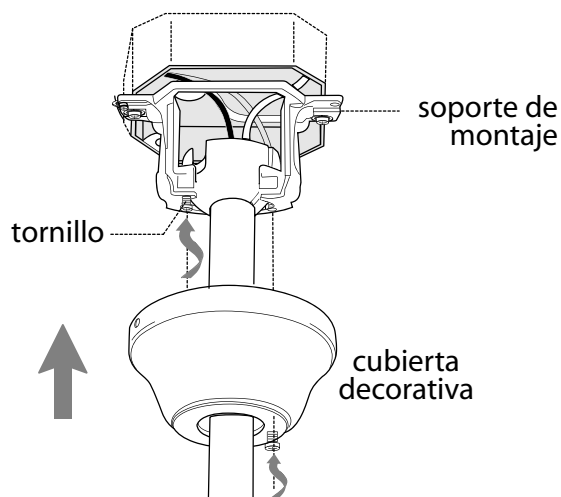
* Como una medida de seguridad adicional, envolver cada conector para cable por separado con cinta aisladora.

Este ventilador es adaptable para usar con control remoto (a la venta por separado).



7. Colocación de la cubierta decorativa.

Localizar los 2 tornillos en la parte inferior del soporte de montaje y quitar el tornillo que está localizado más cerca del extremo abierto del soporte de montaje. Aflojar parcialmente el otro tornillo. Elevar la cubierta decorativa hasta el soporte de montaje. Poner la parte redondeada del agujero con ranura en la cubierta decorativa encima del tornillo aflojado en el soporte de montaje y empujar hacia arriba. Girar la cubierta decorativa para cerrarla. Volver a introducir el tornillo que se quitó, y luego apretar bien ambos tornillos.



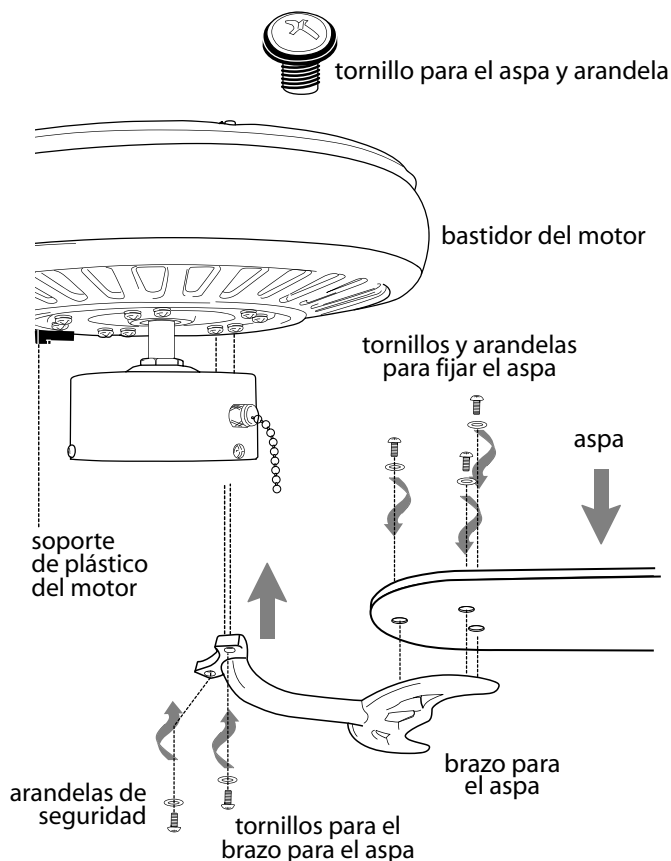
8. Colocación de las aspas.

Para ahorrar tiempo: Se pueden poner las arandelas en los tornillos que son para las aspas antes de colocar las aspas.

Localizar los 15 tornillos y 15 arandelas para fijar las aspas en uno de los paquetes de artículos de ferretería. Agarrar uno de los brazos para las aspas y juntarlo con una de las aspas (a la venta por separado) para alinear los agujeros. Introducir 3 tornillos para fijar las aspas (junto con las arandelas) con los dedos primero y luego apretar los tornillos bien con un destornillador de estrella Phillips. Repetir el procedimiento con las demás aspas.

Sacar los tornillos para los brazos para el aspa y las arandelas de seguridad del lado inferior del motor. Si se han instalado soportes de plástico con los tornillos para el brazo para el aspa, desechar los soportes de plástico (*guardar los tornillos para el brazo para el aspa y las arandelas de seguridad para asegurar los brazos para el aspa*). Alinear los agujeros de uno de los brazos para las aspas con los agujeros para los tornillos en el motor y fijar el brazo para el aspa con arandelas de seguridad y tornillos para el brazo para el aspa. Antes de apretar los tornillos bien, repetir el mismo procedimiento con los demás brazos para las aspas. Apretar bien todos los tornillos.

Nota: Apretar los tornillos para los brazos para el aspa dos veces al año.



9. Instalación del juego de luz, opción de 1 sola luz.

*Para **Modelos C201, C202, E201, E202, C207, C208, E207 y E208**, seguir las instrucciones en esta página.

*Para **Modelos C209 y E209**, continuar a la página 8.

Quitar los 3 tornillos de la cubierta de la caja de encendido (en la parte superior del conector para el juego de luz).

Localizar los cables **AZUL** (o **NEGRO**) y **BLANCO** en la caja de encendido etiquetados "FOR LIGHT KIT CONNECTION" (PARA ENCHUFE DEL JUEGO DE LUZ). Quitarles y tirar el plástico que liga los 2 cables.

Conectar el cable **BLANCO** de la caja de encendido al cable **BLANCO** del conector para el juego de luz. Conectar el cable **AZUL** (o **NEGRO**) de la caja de encendido al cable **NEGRO** del conector para el juego de luz. Asegurarse de que las conexiones tipo "molex" se cierren bien con un clic.

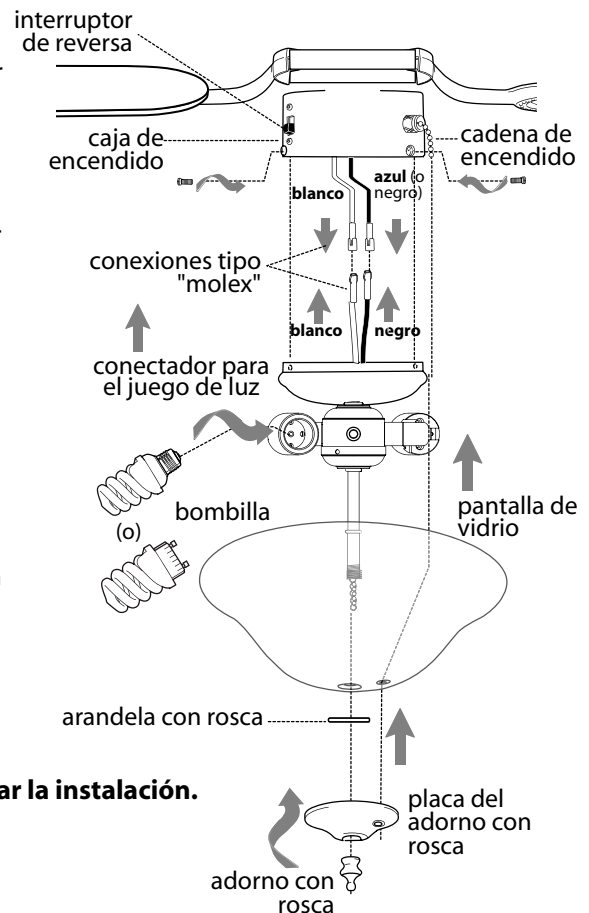
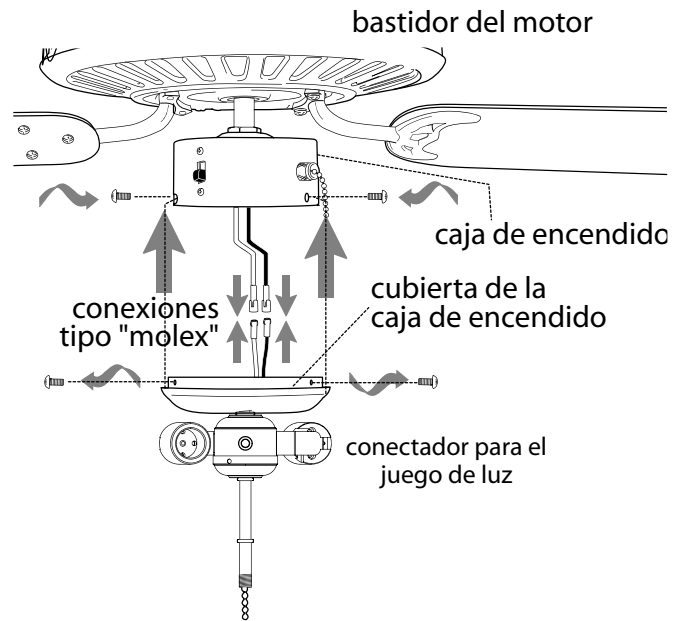
Alinear los agujeros en la cubierta de la caja de encendido con los agujeros en la caja de encendido. (**Nota:** La abertura en el borde de la cubierta de la caja de encendido debe alinearse con el interruptor de reversa en la caja de encendido para que se ajuste bien.) Sujetar el conector para el juego de luz a la caja de encendido con los 3 tornillos que se quitaron anteriormente. Apretar bien los 3 tornillos con destornillador de estrella Phillips.

Instalar bombillas incluidas con el juego de luz.

Importante: Cuando necesite reemplazar las bombillas, favor de dejar que se enfríen la(s) bombilla(s) y la(s) pantalla(s) de vidrio antes de tocarlas.

Quitar el adorno con rosca, la placa del adorno con rosca y la arandela con rosca del conector para el juego de luz. Subir la pantalla de vidrio para pasar las cadenas de encendido por los agujeros correspondientes en la pantalla de vidrio. Alinear la varilla roscada en el conector para el juego de luz con el agujero de en medio de la pantalla de vidrio y empujar desde abajo cuidadosamente dejando que la varilla roscada pase por el agujero. (*Asegurarse de que la cadena de encendido de la caja de encendido no roce contra la bombilla mientras está prendido el ventilador.*) Asegurar la pantalla de vidrio con la arandela con rosca. **Nota:** NO apretarla demasiado ya que el vidrio se puede rajarse o romper. Alinear el agujero de en medio de la placa del adorno con rosca con la varilla roscada, dejando que las cadenas de encendido pasen por los agujeros correspondientes en la placa del adorno con rosca y empujar hacia arriba. Pasar la cadena de encendido de en medio por el agujero en el adorno con rosca y asegurar la pantalla de vidrio al conector para el juego de luz apretando el adorno con rosca. **Nota:** NO apretar el adorno con rosca demasiado ya que el vidrio se puede rajarse o romper.

Favor de pasar a la Sección 11 en la página 10 para terminar la instalación.



Hg LA BOMBILLA CONTIENE MERCURIO

Manipule según las exigencias sobre derrames, eliminación y limpieza del lugar. En caso se rompa, siga el método de limpieza proporcionado por los siguientes contactos.

www.epa.gov/cflcleanup
1-866-284-4010

9. Instalación del juego de luz, opción de 1 sola luz. (cont.)

(Solo para modelos C209 y E209)

Quitar los 3 tornillos de la cubierta de la caja de encendido (en la parte superior del conector para el juego de luz). Asegurarse de que la cadena de encendido pase por el agujero correspondiente en el conector para el juego de luz.

Localizar los cables **AZUL** (o **NEGRO**) y **BLANCO** en la caja de encendido etiquetados "FOR LIGHT KIT CONNECTION" (PARA ENCHUFE DEL JUEGO DE LUZ). Quitarles y tirar el plástico que liga los 2 cables.

Conectar el cable **BLANCO** de la caja de encendido al cable **BLANCO** del conector para el juego de luz. Conectar el cable **AZUL** (o **NEGRO**) de la caja de encendido al cable **NEGRO** del conector para el juego de luz. Asegurarse de que las conexiones tipo "molex" se cierren bien con un clic.

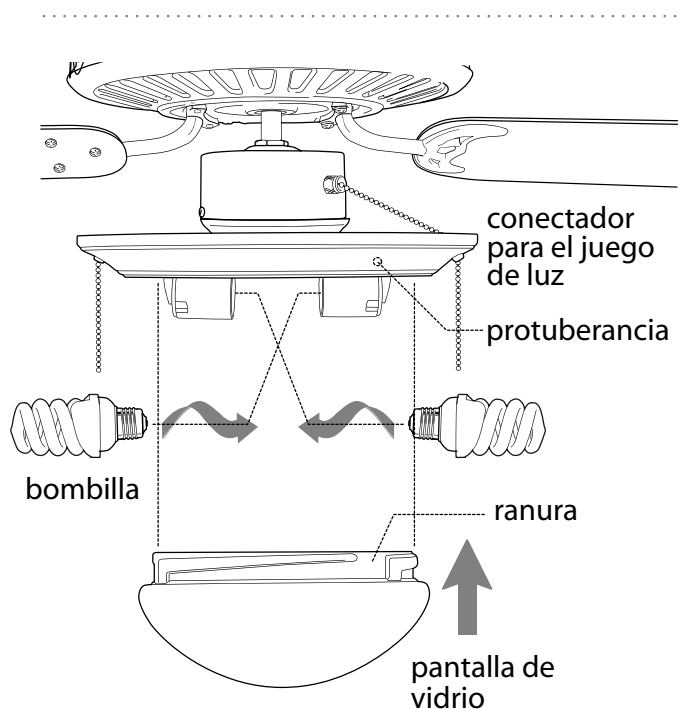
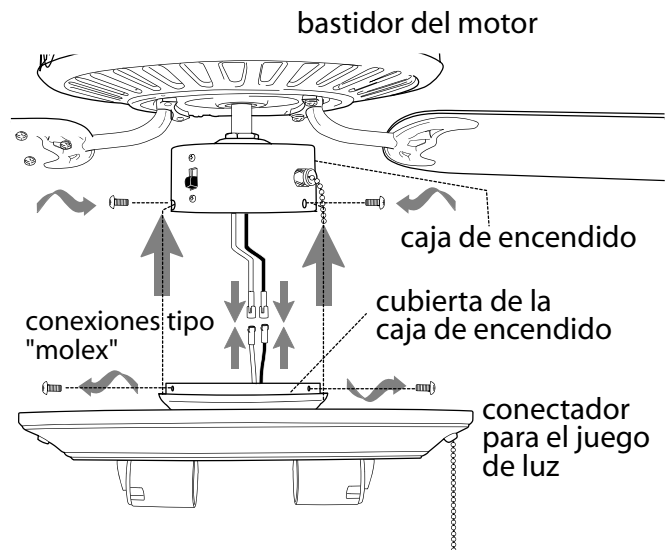
Alinear los agujeros en la cubierta de la caja de encendido con los agujeros en la caja de encendido. (**Nota:** La abertura en el borde de la cubierta de la caja de encendido debe alinearse con el interruptor de reversa en la caja de encendido para que se ajuste bien.) Sujetar el conector para el juego de luz a la caja de encendido con los tornillos que se quitaron anteriormente. Apretar bien los 3 tornillos con destornillador de estrella Phillips.

Pasar la cadena de encendido por el agujero correspondiente en el conector para el juego de luz.

Instalar bombillas incluidas con el juego de luz. **Importante:** Cuando necesite reemplazar las bombillas, favor de dejar que se enfríen la pantalla y la(s) bombilla(s) antes de tocarlas.

Localizar las ranuras en la pantalla de vidrio y alinearlas con las protuberancias pequeñas en el conector para el juego de luz. Empujar la pantalla de vidrio hacia arriba delicadamente y girarla a la DERECHA (en el sentido de la rotación del reloj) hasta que ya no gire. *Con cuidado* jalar hacia abajo en la pantalla de vidrio para asegurarse de que esté bien sujeta.

Favor de pasar a la Sección 11 en la página 10 para terminar la instalación.



LA BOMBILLA CONTIENE MERCURIO

Manipule según las exigencias sobre derrames, eliminación y limpieza del lugar. En caso se rompa, siga el método de limpieza proporcionado por los siguientes contactos.

www.epa.gov/cflcleanup
1-866-284-4010

10. Instalación del juego de luz, opciones de 3 o 4 luces.

Quitar los 3 tornillos del conector para el juego de luz.

Localizar los cables **AZUL** (o **NEGRO**) y **BLANCO** en la caja de encendido con etiqueta que diga "FOR LIGHT KIT CONNECTION" (PARA ECHUFE DEL JUEGO DE LUZ). Quitarles y tirar el plástico que liga los 2 cables.

Luego, localizar los cables **BLANCO** y **NEGRO** en el conector para el juego de luz con etiqueta que diga "FOR LIGHT" (PARA LUZ).

Conectar el cable **BLANCO** del conector para el juego de luz al cable **BLANCO** de la caja de encendido. Conectar el cable **AZUL** (o **NEGRO**) de la caja de encendido al cable **NEGRO** del conector para el juego de luz. Asegurarse de que las conexiones tipo "molex" se cierren bien con un clic.

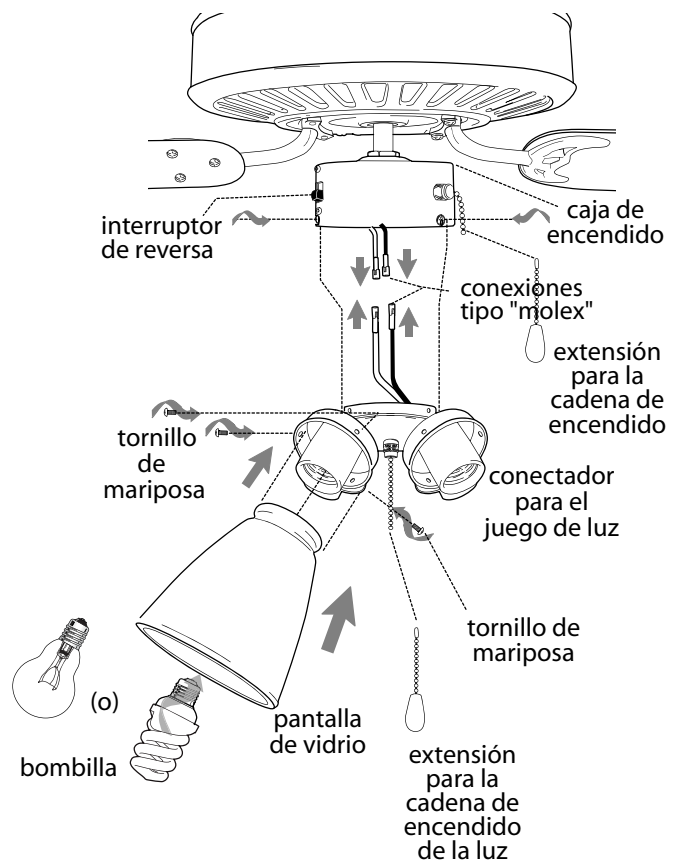
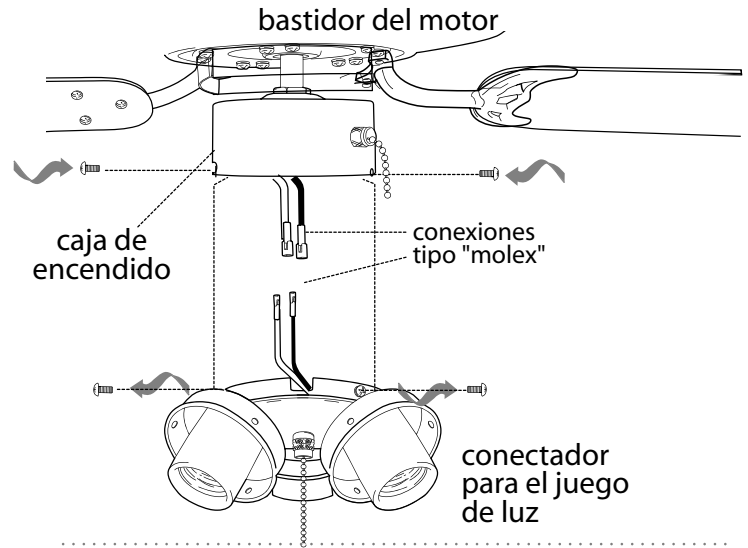
Alinear los agujeros en el conector para el juego de luz con los agujeros en la caja de encendido. (**Nota:** La abertura en el borde superior de la cubierta de la caja de encendido debe alinearse con el interruptor de reversa en la caja de encendido para que se ajuste bien.) Sujetar el conector para el juego de luz con los tornillos que se quitaron anteriormente. Apretar los 3 tornillos bien con destornillador de estrella Phillips.

Aflojar los tornillos de mariposa en el conector para el juego de luz. Fijar las pantallas de vidrio utilizando los tornillos de mariposa. *NO apretarlos demasiado ya que el vidrio se puede rajar o romper.*

Instalar bombillas incluidas con el juego de luz.

Importante: Cuando necesite reemplazar las bombillas, favor de dejar que se enfríen la pantalla y la(s) bombilla(s) antes de tocarlas.

Favor de pasar a la Sección 11 en la página siguiente para teminar la instalación.



11. Verificación del funcionamiento del ventilador.

Se le recomienda poner el ventilador a prueba antes de terminar la instalación. Regresar la corriente de electricidad en el cortacircuitos y encender el interruptor de la luz en la pared (si se aplica). Verificar las velocidades del ventilador con la cadena de encendido en la caja de encendido. Empezar en estado de APAGADO (sin movimiento de las aspas). Con el primer tirón el ventilador estará en marcha ALTA. El segundo tirón controla el ventilador para que se baje a marcha MEDIA. El tercer tirón bajará el ventilador a marcha BAJA. Con el cuarto tirón se APAGARÁ el ventilador de nuevo. Poner a prueba las luces jalando la cadena de encendido de en medio. Si el ventilador y/o la luz no funciona(n), favor de referirse a la sección "Localización de fallas" para resolver cualquier asunto antes de comunicarse con el Servicio al cliente.

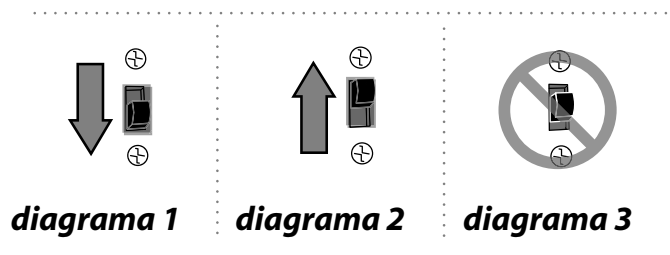
Apagar el ventilador completamente *antes* de mover el interruptor de reversa. Regularlo para que se circule bien el aire dependiendo de las estaciones del año:

- posición ABAJO en verano (**diagrama 1**)
- posición ARRIBA en invierno (**diagrama 2**)

Un ventilador de techo le permitirá subir el termostato en verano y bajarlo en invierno sin notar una diferencia en su comodidad.

Importante: Hay que mover el interruptor de reversa o *completamente* hacia ARRIBA o *completamente* hacia ABAJO para que funcione el ventilador. Si el interruptor de reversa está puesto en la posición *de en medio* (**diagrama 3**), no funcionará el ventilador.

Fijar las extensiones para las cadenas de encendido provistas a las cadenas de encendido o usar unas hechas a medida (a la venta por separado).



Localización de fallas.

ADVERTENCIA: *El no desconectar el suministro de fuerza eléctrica antes de hacer localización de fallas para cualquier problema de instalación eléctrica puede causar lesiones graves.*

Problema: El ventilador no funciona.

Soluciones:

1. Inspeccionar el interruptor de pared del ventilador.
2. Verificar que el interruptor de reversa del ventilador está en una sola posición, no en medio de las dos.
3. Verificar la instalación eléctrica del ventilador.

Problema: El juego de luz no se ilumina.

Soluciones:

1. Inspeccionar el interruptor de pared del ventilador.
2. Verificar que se instalaron correctamente las bombillas.
3. Verificar que se hizo correctamente la conexión de cables en la cubierta decorativa.
4. Asegurarse de que se conectaron bien las conexiones tipo "molex" en la caja de encendido.
5. Verificar que las bombillas no suman más de 190W. [Nota: El poner bombillas en el juego de luz que suman más de 190W ocasionará la interrupción de la corriente eléctrica que va al juego de luz debido al aparato que sirve para limitar el vatiaje.]

Problema: El ventilador funciona pero las luces no.

Soluciones:

1. Verificar que se instalaron correctamente las bombillas.
2. Verificar que se hizo correctamente la conexión de cables en la cubierta decorativa.
3. Asegurarse de que se conectaron bien las conexiones tipo "molex" en la caja de encendido.
4. Reemplazar bombillas defectuosas con el mismo tipo de bombilla.
5. Verificar que las bombillas no suman más de 190W. [Nota: El poner bombillas en el juego de luz que suman más de 190W ocasionará la interrupción de la corriente eléctrica que va al juego de luz debido al aparato que sirve para limitar el vatiaje.]

Problema: El ventilador se tambalea.

Soluciones:

1. Usar el juego para balancear las aspas incluido en uno de los paquetes de artículos de ferretería. *Si no se incluye un juego para balancear las aspas, llamar al Servicio al cliente, 1-800-486-4896, para pedir uno.*
2. Averiguar que se apretó (apretaron) bien el (los) tornillo(s) de fijación en el cuello del bastidor del motor.
3. Averiguar que se apretó bien el tornillo de fijación en la bola que sirve para colgar.

Garantía.

GARANTIA LIMITADA DE POR VIDA DE CRAFTMADE/ELLINGTON:

CRAFTMADE/ELLINGTON garantiza este ventilador al comprador original de grupo familiar para uso interior con las siguientes condiciones:

GARANTIA DE 1 AÑO: CRAFTMADE/ELLINGTON reemplazará o reparará cualquier ventilador que tenga funcionamiento deficiente debido a defectos en los materiales o trabajo manual. Comunicarse con el Servicio al Cliente de CRAFTMADE/ELLINGTON al **1-800-486-4892** para acordar el reenvío del ventilador. Devolver el ventilador, con los gastos de envío propagados, a Craftmade/Ellington. Nosotros repararemos o reemplazaremos el ventilador y pagaremos los gastos de envío de regreso.

GARANTIA DE 5 AÑOS: CRAFTMADE/ELLINGTON reemplazará o reparará sin costo al comprador original, cualquier motor de ventilador que no funcione de manera satisfactoria a causa de uso normal.

DEVOLVER EL MOTOR SOLAMENTE, los gastos de envío propagados, a Craftmade/Ellington. Nosotros repararemos el motor al comprador o le enviaremos uno de reemplazo y Craftmade/Ellington pagará los gastos de envío de regreso.

GARANTIA LIMITADA DE 6 AÑOS hasta DE POR VIDA: CRAFTMADE/ELLINGTON reparará el ventilador, sin costo al comprador original por el coste laboral, si el motor del ventilador no funciona satisfactoriamente a causa del uso normal. Las piezas que se utilizan en hacer la reparación serán facturadas al comprador a los precios prevaletientes en el momento de la reparación.

El comprador original será responsable de todos los gastos incurridos en sacar, reinstalar y enviar el producto para reparación.

Esta garantía no se aplica cuando el ventilador tenga daños por abuso mecánico, físico, eléctrico o por agua resultando en su mal funcionamiento. Se exenta específicamente el deterioro en el acabado u otras partes debido al tiempo o exposición al aire marino bajo esta garantía.

Ni Craftmade/Ellington ni el fabricante se harán responsables por lo que pasa por una instalación inadecuada o el uso impropio de este producto. La compañía no se hará responsable en ningún caso de ningún daño emergente por incumplimiento de esta o cualquier otra garantía expresada o implicada en absoluto. Esta limitación de daños emergentes no se aplicará en estados donde es prohibido.

Piezas de repuesto.

Para piezas o información, referirse al "Inventario de piezas" en la página 2. Servicio al cliente de Craftmade/Ellington:

1-800-486-4892

www.craftmadebrands.com