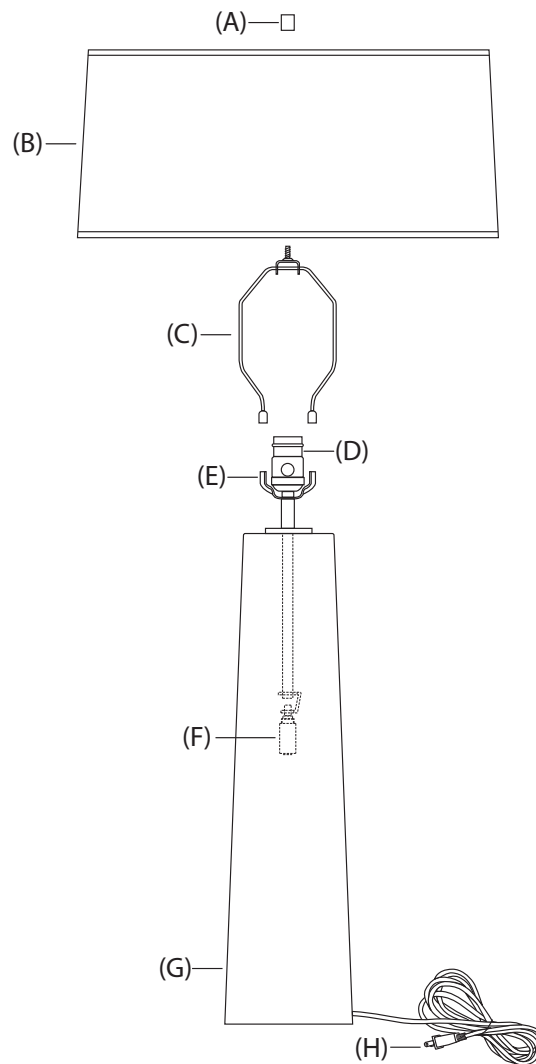


ASSEMBLY INSTRUCTIONS FOR YOUR  
OLINDA TABLE LAMP



**IMPORTANT SAFETY INSTRUCTIONS:**

- \* This lamp has a polarized plug (one blade is wider than the other) as a feature to reduce the risk of electric shock. This plug will fit in a polarized outlet only one way. If it does not fit fully in the outlet, reverse the plug. If it still does not fit, contact a qualified electrician. Do NOT alter the plug.
- \* Do not use with an extension cord unless the plug from the lamp can be fully inserted into the extension cord receptacle.
- \* Switch power off and remove plug from the wall outlet before replacing the bulb.

**ASSEMBLY INSTRUCTIONS:**

NOTE: Do not connect electricity until lamp is fully assembled.

1. Unpack all parts and remove packing materials.
2. Carefully turn base (G) to the side and install one 7W Max. Candelabra base bulb into socket (F).
3. Remove finial (A) from harp (C). Squeeze harp (C) inward and place into the opening of saddle (E).
4. Place shade (B) onto harp (C). Thread finial (A) back onto the harp to secure the shade to the lamp.
5. Install one 150W max. Type A, medium base bulb into socket (D).
6. Remove protective plastic from plug (H).
7. Insert plug (H) into wall outlet.

\*\* To clean, use a soft cloth only. Do not use any chemical or abrasive cleaners. \*\*