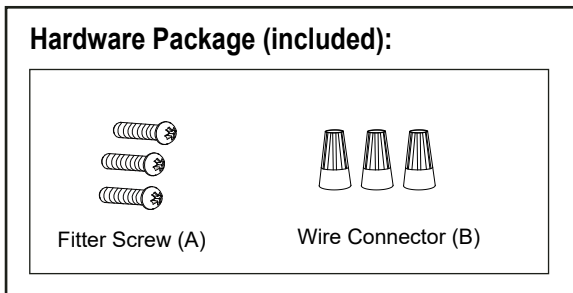


# ASSEMBLY AND INSTALLATION INSTRUCTIONS

T0544

**WARNING: Turn off the main power at circuit breaker before installing fixture.**  
**AVERTISSEMENT: Coupez la source d'alimentation principale au panneau central de disjoncteurs avant d'installer le luminaire.**

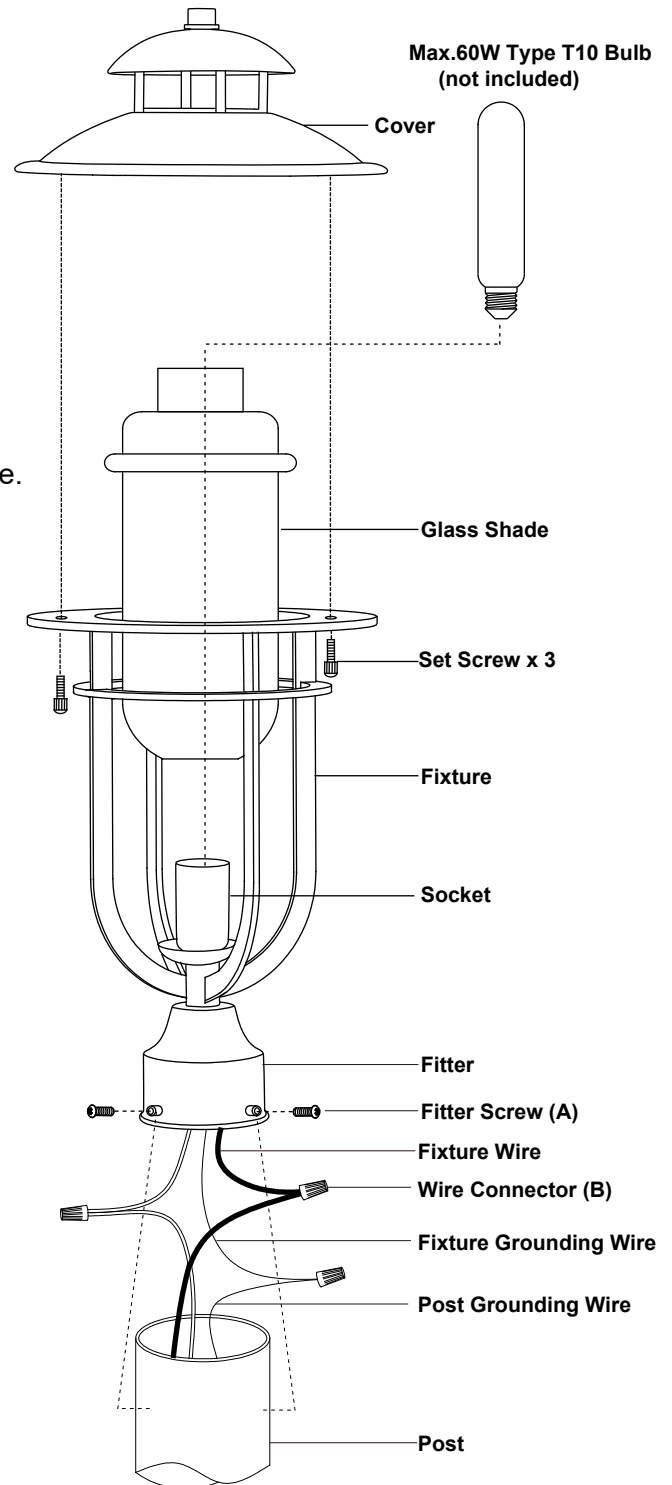
**NOTE: 1. Before installing, consult local electrical codes for wiring and grounding requirements.**  
**2. READ AND SAVE THESE INSTRUCTIONS.**



## Installation Steps

Turn off the power at fuse or circuit box



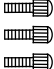
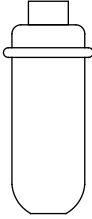
1. Remove the three set screws, the cover from the fixture.
2. Pull out the wires and grounding wire from the post. Make wire connections using the wire connectors (B):
  - The hot wire (usually black insulation) from the fixture to the black wire from the post.
  - The neutral wire (usually white insulation) from the fixture to the white wire from the post.
  - The grounding wire (usually green insulation or bare wire) from the fixture to the grounding wire from the post.Carefully put the wires back into the post.
3. Install a bulb (not included). See relamping label at socket area or packaging for maximum allowed wattage.
4. Attach the glass shade into the fixture.
5. Place the fitter on the top of the post, and then secure it with fitter screws (A).  
**NOTE: With silicone caulking compound, caulk completely around where the fitter meets with the post surface to prevent water from seeping into the post.**
6. Attach the cover to the fixture, then secure it with the bolt nut assemblies.

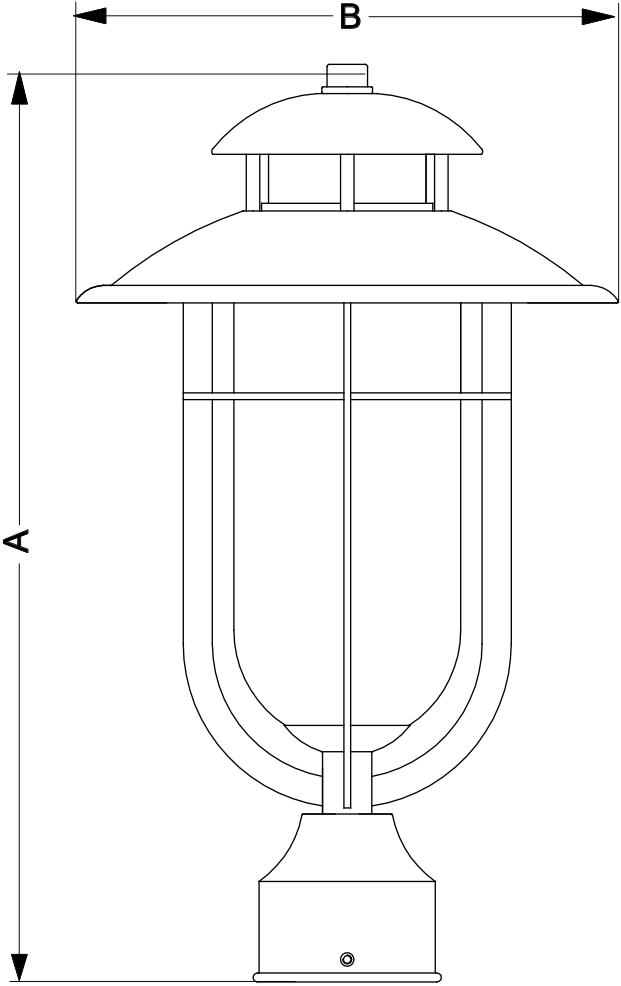


Turn on the power at fuse or circuit box

The following parts are available for re-order if damaged or missing.

**Spare Parts List:**

 Fitter Screw (A)	 Wire Connector (B)	→ Assembly Kit 6187MM (1SET)	 Set Screw 6188SER	 Glass Shade X1 10140CS
---	---	---------------------------------	---	--



**A: 16"**

**B: 9-1/2"**