

Stock Code: **28004-3C-ORB/AMB**

Collection: Martini

PRODUCT INFORMATION

Base: 28004 (Cord) Parent: 28004-3C
Mounting Type: Ceiling UPC: 641594208993
Finish: Oil Rubbed Bronze
Diffuser: Amber

PRODUCT MEASUREMENTS

FIXTURE**	BACKPLATE / CANOPY**
Length:	Length
Width:	Width:
Diameter	Diameter:
Height: 6.5"	Height: 2.25"
Extension:	
Overall Height: 13-133"	

TECHNICAL SPECIFICATIONS

SPECIFICATIONS

Frame Material: Metal
Diffuser Material: Glass
Lamping Type: E-26 (Replaceable LED Jbox: Standard
Lamping Base: E-26 Lamp Wattage: 9 W
Lamp Quantity: 1 Total Wattage: 9 W
Voltage: 120v Lamps Included: Yes

QUALIFICATIONS

Location Rating Dry
Certification: UL (US/Canada) Listed
ADA Compliant: No Energy Star: No
JA8 Compliant: Yes Emergency Lighting: No
Marine Grade Finish: No
Warranty**: 1 Year

PHOTOMETRICS

Dimmable: Yes Nominal Lumens: 800 Lm
CRI: 90 Delivered Lumens: N/A
CCT: 3000K
Recommended Dimmers:
(ELV)LUTRON Skylark SELV-300P; (TRIAC)LEGRAND Titan CD703-PW; (MLV)COOPER Aspire 9530SW

ADDITIONAL NOTES

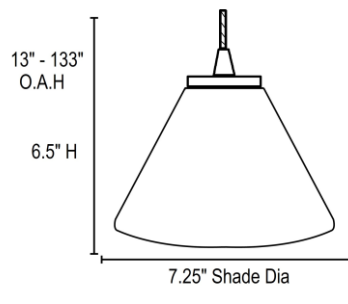
Brushed steel finish paired with 12 feet of clear cord; Custom Finish 5 Piece Minimum Order Quantity

Project Name: _____
Location: _____
Type: _____
Quantity: _____
Notes: _____



LINE DRAWING

IES FILE



In addition to Access Lighting's purchase and warranty terms and conditions, by signing below or placing an order, you agree that you are authorized to bind the entity placing any order and acknowledge the following: All of sizes and measurements are approximate and all images are for illustrative purposes only. In the event of an inconsistency, the "Product Measurements" section controls. There also may be slight differences in the colors and designs compared to the displayed and printed images.

Signature: _____

Print Name _____ Date: _____

Toll Free 800-828-5483 www.AccessLighting.com

301 Piedmont Grove Park, Suite A, Greenville, SC 29611

