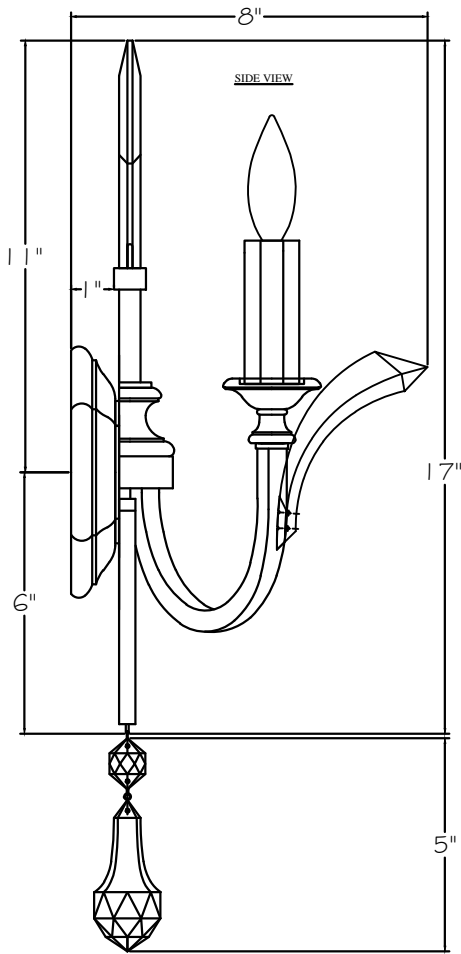
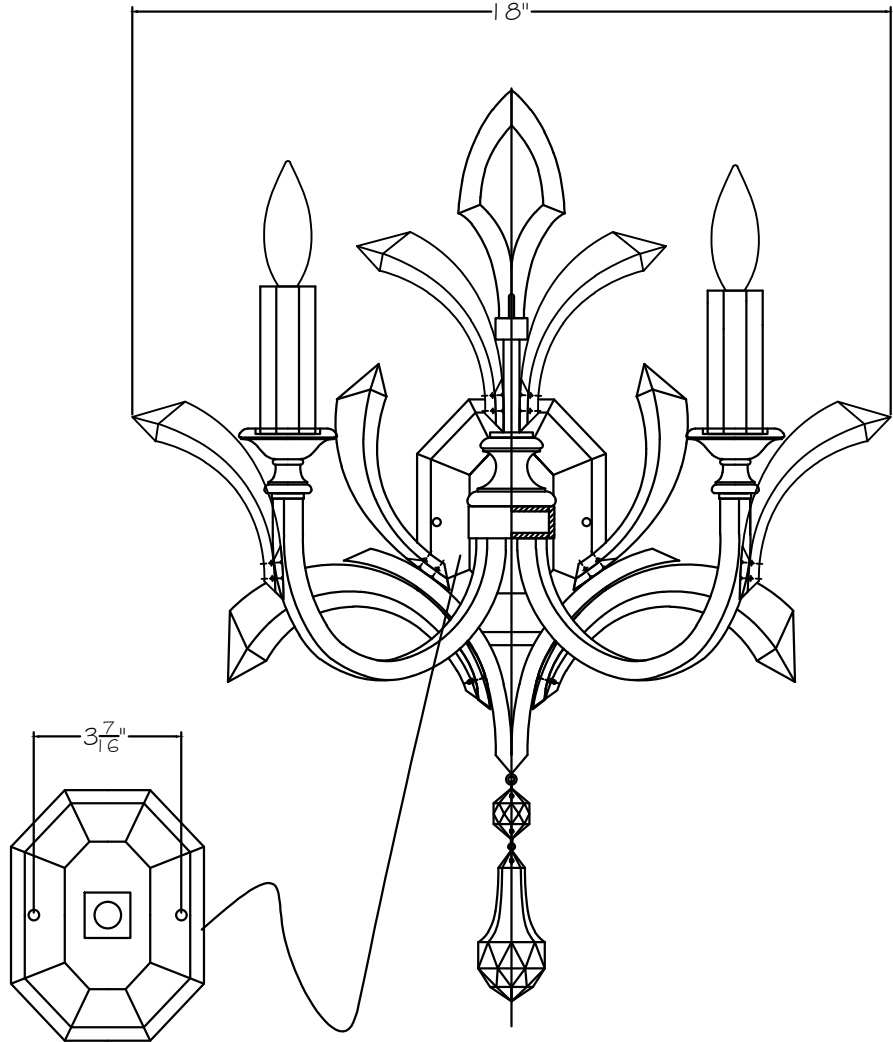


CUSTOMER REFERENCE DRAWING

SIDE VIEW



FROM VIEW



STYLE CONFIGURATIONS:

| | | | |
|------------|-------------|-------------|-----------|
| -ST SILVER | 761350 GOLD | -SF4 SILVER | -SF3 GOLD |
|------------|-------------|-------------|-----------|



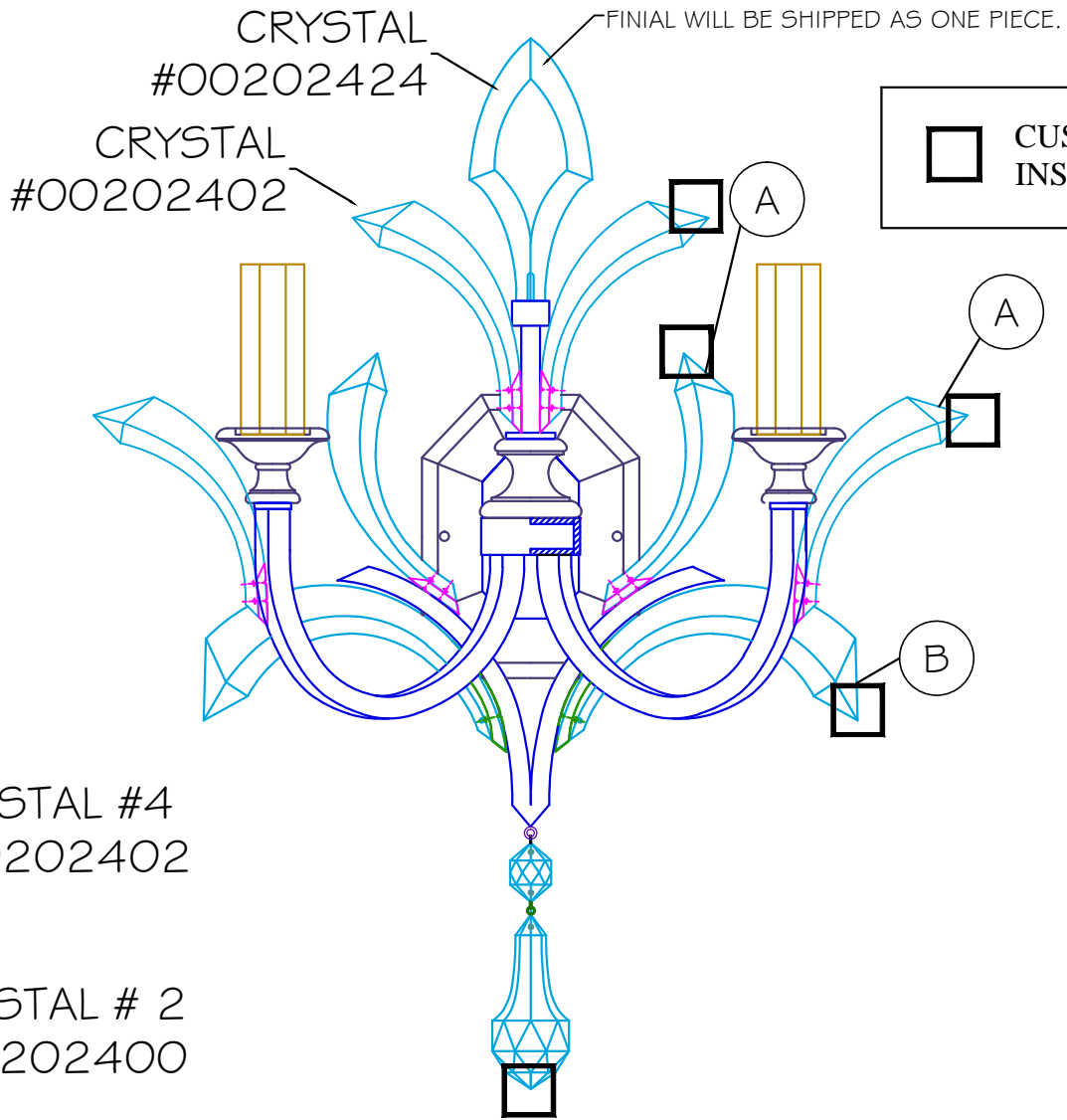
This drawing, specifications and the product depicted are the exclusive property of Fine Art Handcrafted Lighting®. In compliance with US copyright and patent requirements, notice is hereby given that this document and the product depicted shall not be copied, altered or used in any manner without the expressed written consent of Fine Art Handcrafted Lighting®.

www.finearthl.com Tel:(305) 821-3850 Fax:(305) 513-5736
FINE ART LAMPS®

STYLE NUMBER:
701850
DATE:
4/17/2020

..CRYSTAL LOCATION

| REV. | ECN # IF APPLIC. | REVISION DESCRIPTION | REQD. BY | DRAFTER | DATE |
|------|---------------------|---------------------------|----------|---------|---------|
| 1 | NA | ORIGINAL RELEASED VERSION | NA | DN | 1/12/07 |
| 2 | N/A | LEGEND ADDED | AC | LM | 3/12/08 |



This drawing and specifications are the exclusive property of BLUMBERG INDUSTRIES, INC. issued in strict confidence and shall not, without the prior written permission of BLUMBERG INDUSTRIES, INC., be produced, copied or used for any purpose whatsoever except the manufacture articles for FINE ART LAMP S.

5770-5772 Miami Lakes Dr. East / Miami Lakes, FL 33014
Ph: (305) 821-3850 FAX: (305) 821-1564

STYLE NUMBER: 701850ST

PART NUMBER: #00790549

ASSY. INSTRUCTION TEMPLATE

DRAFTER: LM

STYLE ENGINEER: DN

DATE: 3/12/08

REVISION: 2

SHEET: 1 / 1